

Canon

CanoScan LiDE 600F

Quick Start Guide

快速入门指南

시작하기

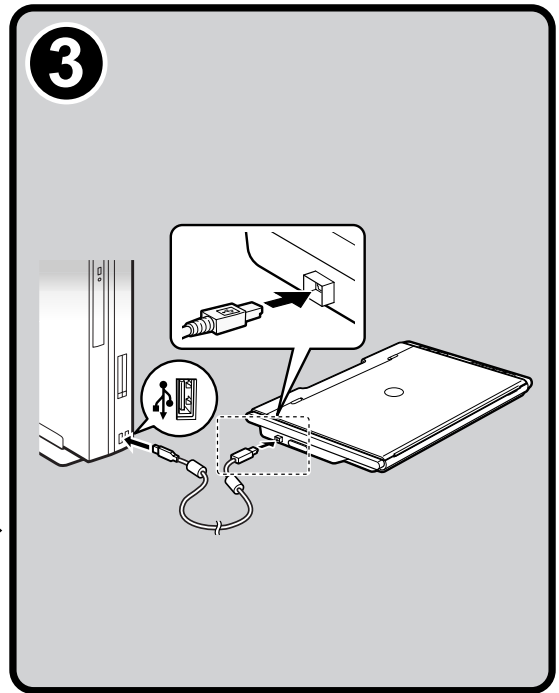
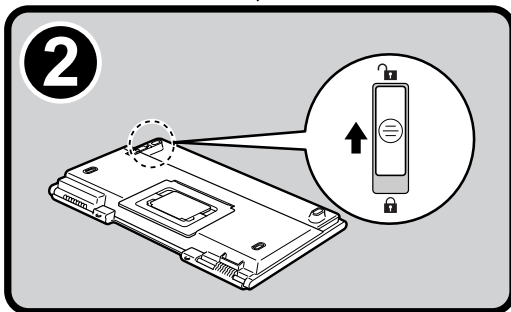
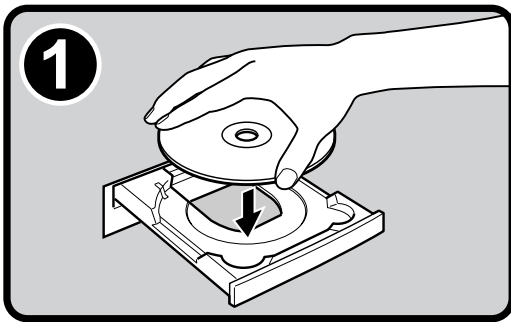
快速入門指南

English

简体中文

한국어

繁體中文





Quick Start Guide

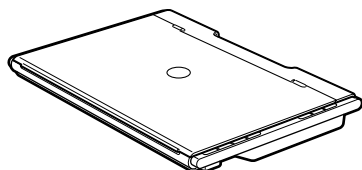
Please read this guide before operating this scanner. After you finish reading this guide, store it in a safe place for future reference.

Table of Contents

| | | | |
|-------------------------------|---|--------------------------------|---|
| Package Contents | 1 | Using the Scanner Buttons..... | 5 |
| Installing the Software | 2 | Scanning Film | 6 |
| Preparing the Scanner | 3 | Positioning the Scanner..... | 8 |
| Try Scanning | 4 | Specifications | 9 |

Package Contents

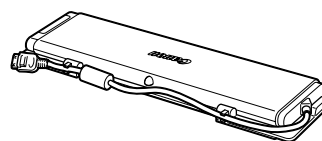
Scanner and Accessories



Scanner



USB Cable



Film Adapter Unit
(with protective cloth)

Documentation

- Quick Start Guide (this document)
- Additional Documents

CanoScan Setup Utility CD-ROM

- **Software Programs**
 - ScanGear (scanner driver)
 - CanoScan Toolbox
 - ArcSoft PhotoStudio
 - Presto! PageManager (Windows only)
 - ScanSoft OmniPage SE (not supported for Windows 98 First Edition)
 - Adobe RGB (1998) (Windows only)
- **On-screen Manuals**
 - Scanning Guide (for ScanGear, CanoScan Toolbox, and troubleshooting)
 - Manuals for bundled application programs

*In this guide, Windows XP screenshots are used to illustrate explanations common to all operating systems.

Installing the Software



- Do NOT connect the scanner to a computer before installing the software. If you connect the scanner and the Found New Hardware Wizard appears, click [Cancel].
- Quit all running applications before installation, including anti-virus software.
- For Windows 2000/XP, log in as an administrator to install the software.

1 Place the CanoScan Setup Utility CD-ROM in the drive.

If prompted, select your language and place of residence. CanoScan Setup Utility program starts.

- For Macintosh: Double-click the [Setup] icon. Enter the administrator ID and password on the authentication dialog box.

2 Click [Easy Install] on the main menu.

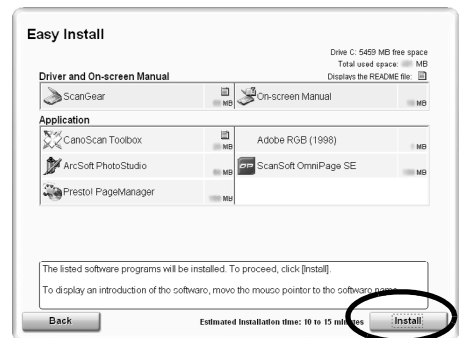
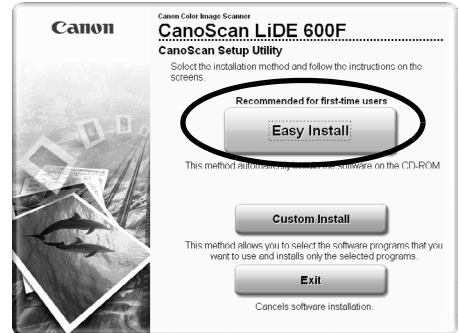
3 Click [Install] to start installation.

Carefully read the License Agreement, and then click [Yes] to proceed. All the software programs and on-screen manuals will be installed on your computer.

4 For the bundled applications, follow the on-screen instructions to perform the installation.

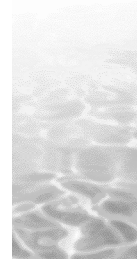
5 When the installation is complete, click [Restart] to restart your computer.

- Make sure to remove the CD-ROM from the drive and store it in a safe place.
- If you encounter a problem during installation, see "Troubleshooting" in the *Scanning Guide*.
- If you later upgrade your OS to Windows XP, reinstall the software.



Installation completed successfully.

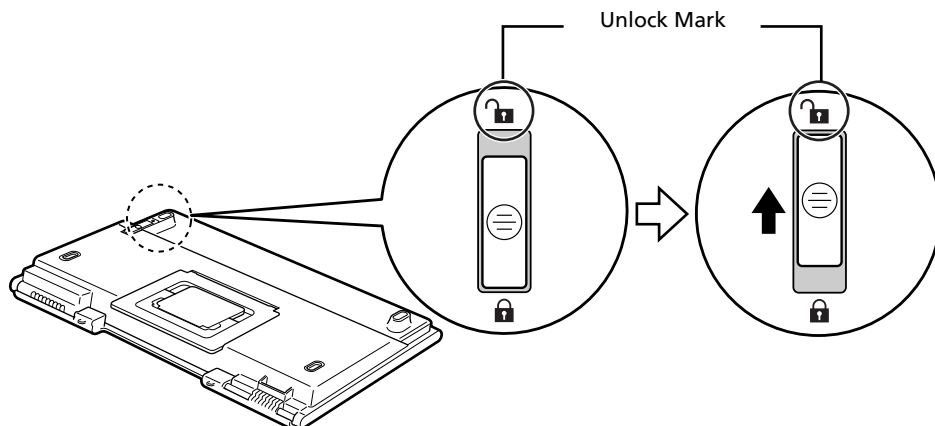
- Restart the system now (recommended)



Preparing the Scanner

Unlocking the Scanner

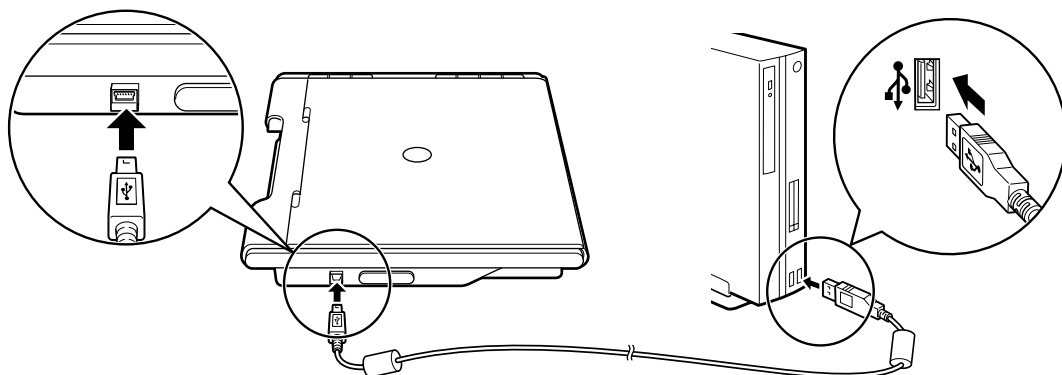
- 1 Peel the seals off the scanner.
- 2 Slide the lock switch on the bottom of the scanner toward the unlock mark (🔓).



- Handle the scanner with both hands. Be careful not to drop the scanner.
- Always lock the scanner when carrying or transporting it.

Connecting the Scanner

- 1 Connect the scanner to your computer with the supplied USB cable.




- Only use the USB cable provided with the scanner. Use of other cables may lead to a malfunction.
- When the scanner is connected to the USB 1.1 port on Windows XP and "HI-SPEED USB Device Plugged into non-HI-SPEED USB Hub" message appears, ignore the message. The scanner operates in this condition without problems.
- The scanner does not have a power switch. The power is activated as soon as the computer is turned on.

Try Scanning

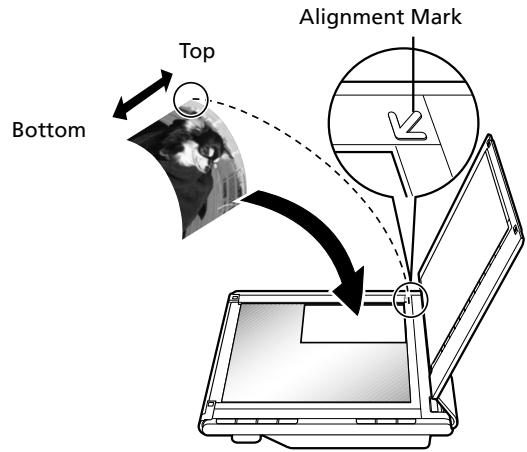
This section explains the basic scanning procedures using the image editing program, ArcSoft PhotoStudio, and the scanner driver, ScanGear.

1 Place a document on the document glass and close the document cover.

 When opening the document cover, support it with your hand until it stops.

2 Start ArcSoft PhotoStudio.

- For Windows: Select [start] - [(All) Programs] - [ArcSoft PhotoStudio 5.5], then click [PhotoStudio 5.5].
- For Macintosh: Open [Applications] - [PhotoStudio] folders, then double-click the [PhotoStudio] icon.




3 From the [File] menu, click [Select Source] and select the scanner model.
For Windows: Do not select the one that includes [WIA] in the model name.

4 Click the [Acquire] icon  to start ScanGear.

5 Select the type of document you are scanning in [Select Source] and click [Preview].

6 Set [Destination] and/or [Output Size] as needed.

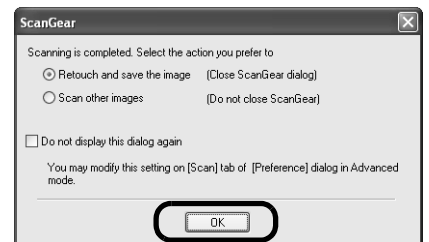
7 Click [Scan] to start scanning.

 Do not touch the scanner while it is operating.



8 When prompted to close ScanGear, click [OK].

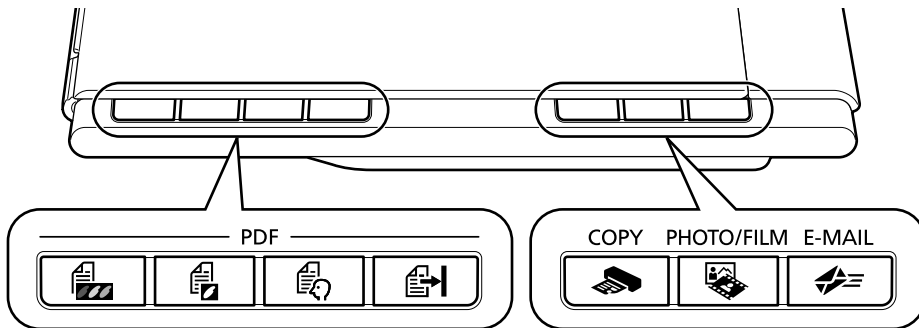
9 Save the scanned image in ArcSoft PhotoStudio and close the window.



For more information on scanning using ScanGear, bundled applications, and troubleshooting, see the on-screen manual *Scanning Guide*. To open the *Scanning Guide*, double-click the manual icon on the desktop, or click ? in ScanGear or CanoScan Toolbox.

Using the Scanner Buttons

Scanner buttons allow you to copy, scan, e-mail, and save scanned images in PDF format with a press of a button. Simply place your document on the scanner, and then press the scanner button for the required function. For more information, see the *Scanning Guide*.



PDF Buttons

PDF buttons allow you to easily create PDF files according to your needs. Note that these buttons are not labeled on the scanner.



COLOR Button

Scans color images in A4 or Letter size* at 300 dpi.



BLACK & WHITE Button

Scans black and white images in A4 or Letter size* at 300 dpi.



CUSTOM Button

Scans images in user-specified settings.



FINISH Button

Saves the scanned image as a PDF file and completes the operation.

*The size may differ depending on your system environment.



COPY Button

Prints (copies) the scanned image with a printer.



PHOTO/FILM Button

Opens the scanned image in the bundled application program, ArcSoft PhotoStudio.



E-MAIL Button

Attaches the scanned image to a new e-mail message.

The first time you press this button, you will be prompted to select the e-mail program to use with this function.

- Before using scanner buttons, make sure that all the software programs are installed on your computer using the [Easy Install] option of the CanoScan Setup Utility program. See "Installing the Software" on page 2.
- **For Mac OS X 10.3 and 10.2.8:** Before using the scanner buttons, you need to set Image Capture (in [Applications] folder) to open CanoScan Toolbox automatically when a scanner button is pressed.

Start Image Capture, and then perform the following:

- Mac OS X 10.3: Click [Options] and select CanoScan Toolbox in [When a scanner button is pressed, open:].
- Mac OS X 10.2.8: Select [Other] in [When a scanner button is pressed, open:]. Select CanoScan Toolbox and click [Open]. Click [OK] and quit Image Capture. For more information, see "Troubleshooting" in the *Scanning Guide*.

Scanning Film

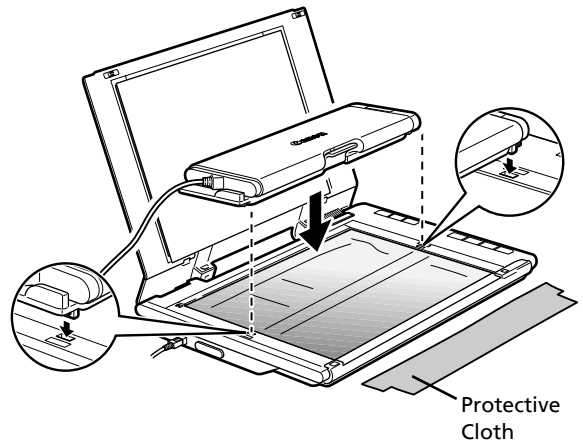
This scanner can scan 35 mm film strips (6 frames at a time). Follow the procedure below when scanning film.



- Make sure the document glass is wiped clean before placing the film adapter unit on the scanner.
- Handle the film adapter unit carefully to avoid damaging the glass panel.
- Handle film strips carefully to avoid scratching or leaving fingerprints on them.

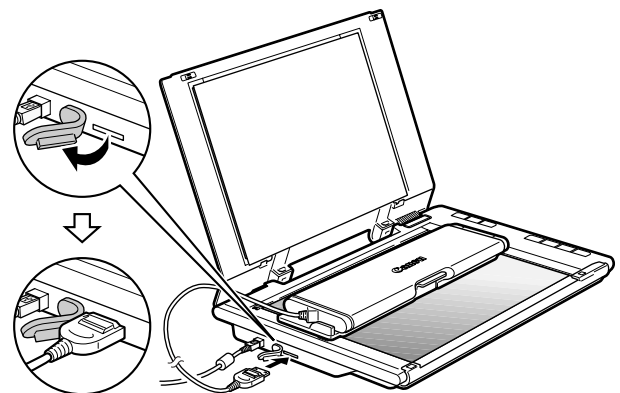
1 Open the film adapter unit by the center latch and remove the protective cloth. Detach the cable from the retainers on the side of the film adapter unit.

2 Open the document cover and set the film adapter unit on the document glass. Align the dots on the film adapter unit and the dots on the scanner (labeled [FAU]) to set the unit in place.



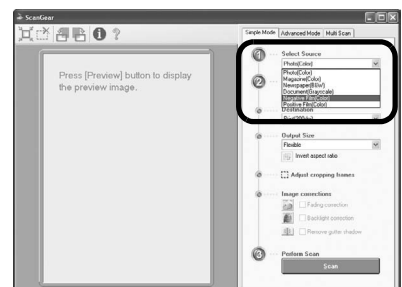
3 Connect the cable to the connector on the side panel of the scanner, then gently close the document cover.

You need to calibrate the scanner before scanning film for the first time. Do not place a film strip in the film adapter unit at this point as it is not required for calibration.



4 Start ArcSoft PhotoStudio, then start ScanGear. Follow the steps 2 to 4 in "Try Scanning" on page 4.

5 Select [Negative Film (Color)] or [Positive Film (Color)] in [Select Source] to match the type of film you are scanning, and then click [Preview].



- 6** Click [OK] on the calibration message window.
The calibration process is finished when the message disappears.



- 7** Open the document cover, and then the film adapter unit.

- 8** Place a film strip in the film guide of the film adapter unit, so that the borderlines between frames are aligned with the guidelines on the film guide.



Do not block the calibration slot on the film guide when scanning film. Colors will not be scanned correctly if the calibration slot is obstructed.

- 9** Close the film adapter unit until it clicks, and then gently close the document cover.



The document cover does not touch the document glass. Be careful not to force the document cover down.

- 10** Click [OK] on the preview message window.
The scanned image is displayed in the preview area.

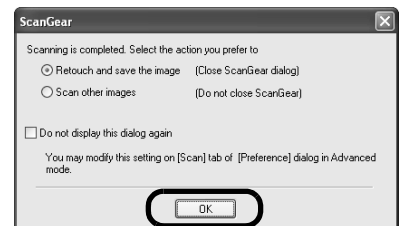
- 11** Check the frames you want to scan. Perform image corrections as needed.

- 12** Click [Scan] to start scanning.



Do not touch the scanner while it is operating.

- 13** When prompted to close ScanGear, click [OK].



- 14** Save the scanned image in ArcSoft PhotoStudio and close the window.




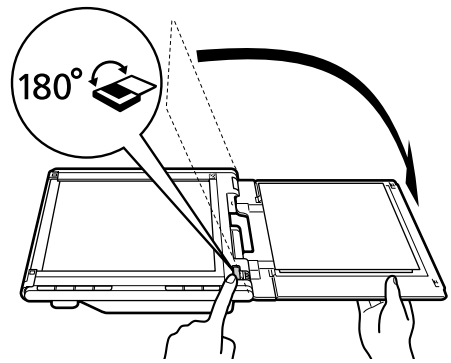
- After the scanning is finished, disconnect the film adapter unit. Make sure to use the supplied protective cloth to protect the glass panel from scratches. Keep the protective cloth in a safe place for future use.
- Do not leave the film strip in the film adapter unit for an extended period of time as heat from the unit may damage the film.
- For more information on scanning film, see "Scanning Film" in the *Scanning Guide*.


Positioning the Scanner

Horizontal Position

The document cover fully opens to allow easy scanning of large or bound documents. An oversized document can be scanned section by section into a single image using the stitch-assist function of CanoScan Toolbox. For details, see the *Scanning Guide*.

Hold the document cover with one hand, and press and hold  at the base hinge as you carefully lower the cover all the way down.




 Do not place items that weigh 2.0 kg or more on the scanner. The scanner may not work or you may break the document glass if you press down the document glass firmly.

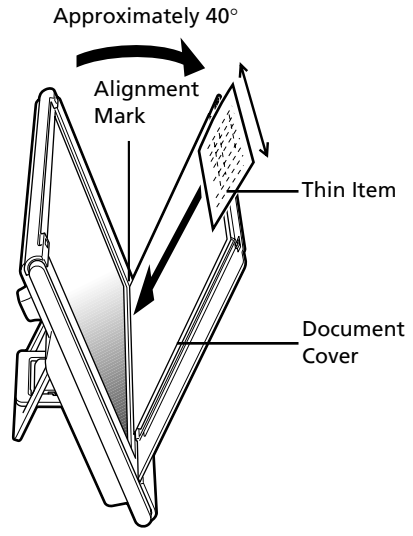
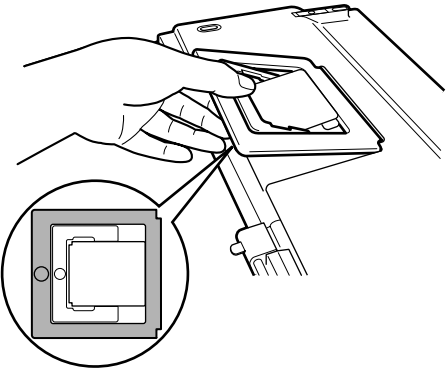
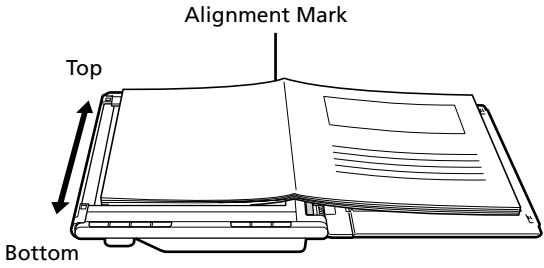
Cover the scanner with a black cloth if external light enters around the scanned item.

Upright Position

If you are scanning thin documents (i.e., a single sheet or double-folded sheet), this position saves the most space. Thick documents or film cannot be scanned in this position.

Pull out the stand on the bottom of the scanner until it clicks, and set the scanner upright on a flat stable surface. Gently open the document cover as far as it goes (stops at approximately 40°) and slide down the document along the document cover.

 • Do not force the document cover open; it does not fully open when the scanner is in the upright position.
• Always close and secure the document cover first when lifting the scanner in the upright position.



Specifications

| | | |
|--|---------------------------|---|
| Scanner Type | | Flatbed |
| Scanning Element | | CIS (Color Contact Image Sensor) |
| Light Source | | 3-color (RGB) LED |
| Optical Resolution * ¹ | | 4800 x 9600 dpi |
| Selectable Resolution | | 25–19200 dpi (ScanGear) |
| Scanning Bit Depth | Color | 16 bit input/16 bit or 8 bit output for each color |
| | Grayscale | 16 bit input/16 bit * ² or 8 bit output |
| Scanning Speed * ³ (Photo or Document) | Color | 34.3 msec./line (2400 dpi), 34.3 msec./line (4800 dpi) |
| | Grayscale, B&W | 11.4 msec./line (2400 dpi), 11.4 msec./line (4800 dpi) |
| Scanning Speed * ³ (Film) | | 5.6–223.9 msec./line |
| Preview Speed * ³ * ⁴ | | Approximately 9 sec. |
| Interface | | USB 2.0 Hi-Speed |
| Maximum Document Size | | A4/Letter: 216 x 297 mm |
| Film Type/Number of Frames | | 35 mm strip * ⁵ (6 frames max) |
| Scanner Buttons | | 7 buttons (PDF x 4, COPY, PHOTO/FILM, E-MAIL) |
| Operating Range | Temperature | 5°C to 35°C (41°F to 95°F) |
| | Humidity | 10% to 90% RH, 20% to 80% RH for film scanning without condensation formation |
| Power Requirements | | Supplied via USB port (NO external adapter required) |
| Power Consumption | | In operation: 2.5 W maximum, Stand-by: 0.6 W |
| Maximum Exterior Dimensions | | 286 x 409 x 43 mm |
| Weight | | Approximately 2.6 kg * ⁶ |

*¹ Optical Resolution represents the maximum sampling rate based on ISO 14473.

*² For film scanning only.

*³ The fastest speed in USB 2.0 Hi-Speed mode on Windows PC. Transfer time is not included. Scanning speed varies according to the document types, scan settings, or specifications of the computer.

*⁴ Calibration processing time is not included.

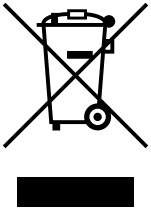
*⁵ 35 mm slides are not supported.

*⁶ Film Adapter unit weight is included.

- Specifications are subject to change without notice.

Model Number: K10291(CanoScan LiDE 600F)

European Union (and EEA) only.



This symbol indicates that this product is not to be disposed of with your household waste, according to the WEEE Directive (2002/96/EC) and your national law. This product should be handed over to a designated collection point, e.g., on an authorized one-for-one basis when you buy a new similar product or to an authorized collection site for recycling waste electrical and electronic equipment (EEE). Improper handling of this type of waste could have a possible negative impact on the environment and human health due to potentially hazardous substances that are generally associated with EEE. At the same time, your cooperation in the correct disposal of this product will contribute to the effective usage of natural resources. For more information about where you can drop off your waste equipment for recycling, please contact your local city office, waste authority, approved WEEE scheme or your household waste disposal service. For more information regarding return and recycling of WEEE products, please visit www.canon-europe.com/environment.

(EEA: Norway, Iceland and Liechtenstein)

For Customers in Europe, Middle-East, Africa and Russia only

For Canon Customer Support contacts, please see the back cover of the European Warranty System (EWS) Booklet or visit www.canon-europe.com.

Warning

When you use this product, you should pay attention to the following legal issues:

- Scanning of certain documents, such as bank notes (bank bills), government bonds and public certificates, may be prohibited by law and may result in criminal and/or civil liability.
- You may be required under law to obtain authorization from a person possessing copyrights or other legal rights to the item being scanned.

If you are uncertain of the legality of scanning any particular item, you should consult your legal adviser in advance.

- Adobe® and Adobe® RGB (1998) are either registered trademarks or trademarks of Adobe Systems Incorporated in the U.S. and/or other countries.
- Microsoft® and Windows® are either registered trademarks or trademarks of Microsoft Corporation in the U.S. and/or other countries.
- Macintosh, Mac and the Mac logo are trademarks of Apple Computer, Inc., registered in the U.S. and other countries.
- ©ArcSoft, Inc. All rights reserved for PhotoStudio.
- Other names and products not mentioned above may be trademarks or registered trademarks of their respective companies.

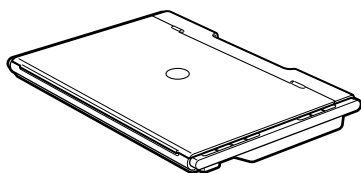
快速入门指南

操作此扫描仪之前请阅读本指南。阅读完本指南后，请将其妥善保管以备将来参考。

| 目录 | |
|---------------|---|
| 包装内的物品 | 1 |
| 安装软件 | 2 |
| 准备扫描仪 | 3 |
| 测试扫描 | 4 |
| 使用扫描仪按钮 | 5 |
| 扫描胶片 | 6 |
| 扫描仪的放置 | 8 |
| 规格 | 9 |

包装内的物品

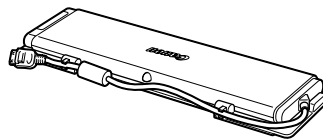
扫描仪和附件



扫描仪



USB 电缆



胶片适配器单元
(带保护布)

文档

- 快速入门指南 (本说明书)
- 附加文档

CanoScan 安装光盘

- 软件程序
 - ScanGear (扫描仪驱动程序)
 - CanoScan Toolbox
 - ArcSoft PhotoStudio
 - Presto! PageManager (仅限于 Windows)
 - RosettaStone*(Windows)/OmniPage SE (Macintosh)
 - Adobe RGB (1998) (仅限于 Windows)
 - * 不支持 Windows 98 第一版
- 电子手册
 - 扫描指南 (包含 ScanGear、CanoScan Toolbox 和疑难解答)
 - 绑定应用程序的手册

• 在本指南中，使用 Windows XP 的屏幕截图说明所有操作系统的共同之处。

安装软件



- 安装软件之前请勿将扫描仪与计算机连接。如果连接了扫描仪并出现“找到新的硬件向导”，请单击 [取消]。
- 在安装之前请退出所有正在运行的应用程序，包括杀毒软件。
- 对于 Windows 2000/XP，安装软件时请使用管理员用户名登录。

1 将 CanoScan 安装光盘装入驱动器。

如有提示，请选择语言和居住地。CanoScan 安装程序启动。

- 对于 Macintosh：双击 [Setup]（安装）图标。在验证对话框中输入管理员用户名和密码。

2 在主菜单上单击 [简易安装]。

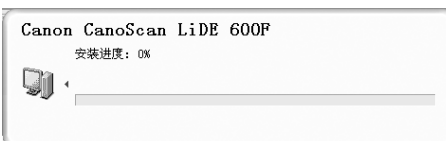


3 单击 [安装] 以启动安装。

请仔细阅读许可协议，然后单击 [是] 继续安装。所有软件程序和电子手册都将安装到计算机上。



4 关于绑定的应用程序，请依照屏幕上的提示执行安装。



5 安装完成后，单击 [重新启动] 以重新启动计算机。



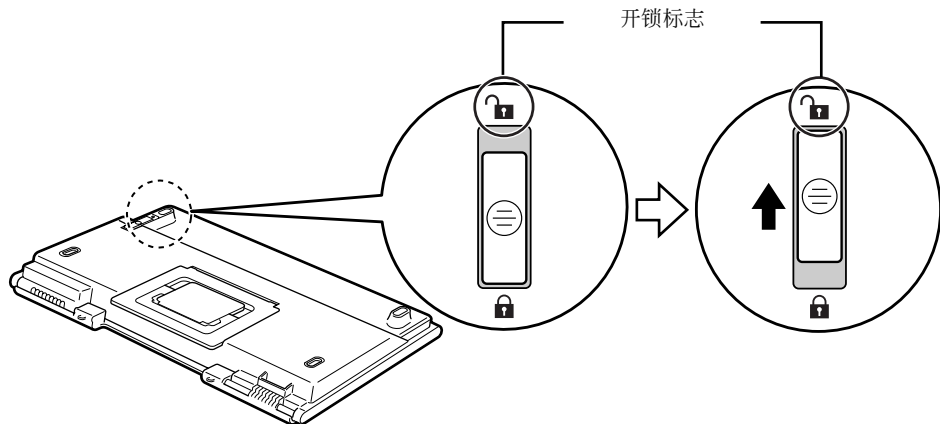
- 必须从驱动器中取出光盘并将其妥善保管。
- 如果在安装过程中遇到问题，请参阅 *扫描指南* 中的“疑难解答”。
- 如果将来把操作系统升级为 Windows XP，应重新安装该软件。
- 对于某些语言，扫描指南位于光盘中的 [Manual1] 文件夹。

准备扫描仪

打开扫描仪的锁扣

1 撕下扫描仪上的各个封条。

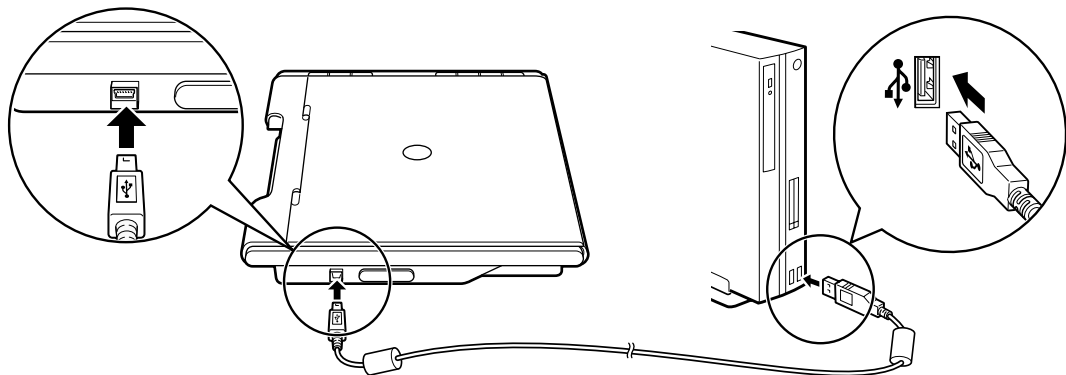
2 将扫描仪底部的锁定开关滑向开锁标志 () 的一侧。



- 用双手操作扫描仪。务必小心切不可将扫描仪跌落。
- 当搬动或运输扫描仪时请始终将其锁定。

连接扫描仪

1 用随机提供的 USB 电缆将扫描仪连接至计算机。



- 仅可使用随扫描仪提供的 USB 电缆。使用其他电缆可能导致故障。
- 在 Windows XP 操作系统中将扫描仪连接至 USB 1.1 端口，并出现“HI-SPEED USB Device Plugged into non-HI-SPEED USB Hub”信息时，请忽略此信息。在此情况下，仍可正常操作扫描仪。
- 扫描仪没有电源开关。一打开计算机电源便启动。

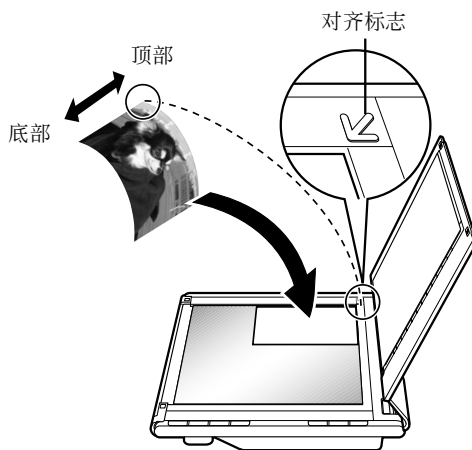
测试扫描

此部分介绍了使用图像编辑程序（ArcSoft PhotoStudio）以及扫描仪驱动程序（ScanGear）的基本扫描步骤。

1 将原稿置于玻璃稿台上并合上文件盖。



打开文件盖时，用手扶持直至其停止。



2 启动 ArcSoft PhotoStudio。

- 对于 Windows: 选择 [开始] - [(所有) 程序] - [ArcSoft PhotoStudio 5.5]，然后单击 [PhotoStudio 5.5]。
- 对于 Macintosh: 打开 [Applications] (应用程序) - [PhotoStudio] 文件夹，然后双击 [PhotoStudio] 图标。

3 从 [文件] 菜单中单击 [选择来源] 以选择扫描仪型号。

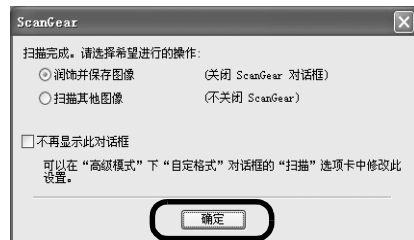
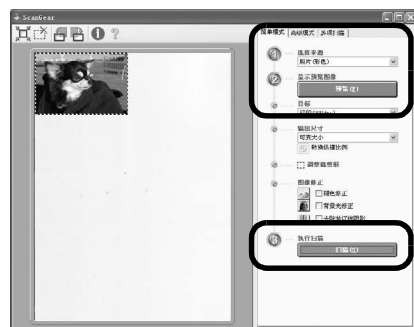
对于 Windows: 请勿选择型号名称中包含 [WIA] 的型号。

4 单击 [获取] 图标 以启动 ScanGear。

5 在 [选择来源] 中选择要扫描的文件类型然后单击 [预览]。

6 必要时设定 [目标] 和 / 或 [输出尺寸]。

7 单击 [扫描] 以启动扫描。



扫描仪运行时切勿触摸扫描仪。

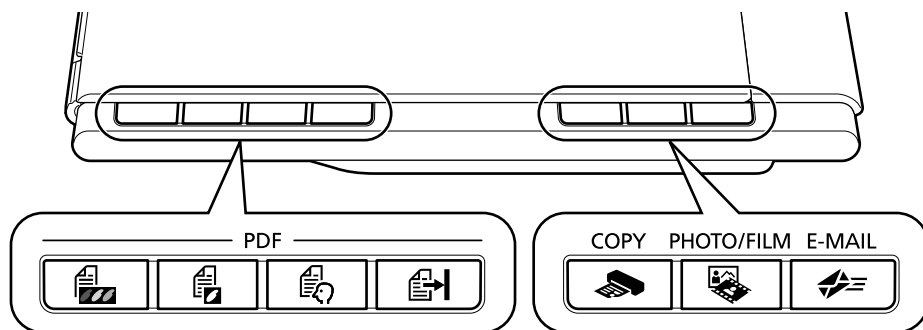
8 当提示关闭 ScanGear 时，单击 [确定]。

9 在 ArcSoft PhotoStudio 中保存扫描图像并关闭窗口。

关于使用 ScanGear 进行扫描、绑定的应用程序以及疑难解答的更多信息，请参阅电子手册 *扫描指南*。要打开 *扫描指南*，请双击桌上的手册图标，或者在 ScanGear 或 CanoScan Toolbox 中单击 ?。

使用扫描仪按钮

扫描仪按钮提供了通过按某个按钮即可进行复制、扫描、发电子邮件以及以 PDF 格式保存扫描图像的功能。只需将文件放在扫描仪上，然后按扫描仪上对应所需功能的按钮。更多信息，请参阅 *扫描指南*。



PDF 按钮

PDF 按钮使您可根据需要轻松创建 PDF 文件。请注意，这些按钮在扫描仪上未用标签标记。

COLOR 按钮

以 300 dpi 扫描 A4 或 “Letter” 尺寸* 的彩色图像。

BLACK & WHITE 按钮

以 300 dpi 的速度扫描 A4 或 “Letter” 尺寸* 的黑白图像。

CUSTOM 按钮

采用用户指定的设置扫描图像。

FINISH 按钮

将扫描图像保存为 PDF 文件并结束操作。

* 上述尺寸可能会因系统环境而异。

COPY 按钮

用打印机打印（复制）扫描图像。

PHOTO/FILM 按钮

在绑定的应用程序 ArcSoft PhotoStudio 中打开扫描图像。

E-MAIL 按钮

将扫描的图像附加至新建的电子邮件信息中。第一次按此按钮，将提示选择使用此功能的电子邮件程序。

- 在使用这些扫描仪按钮之前，必须事先使用 CanoScan 安装程序中的 [简易安装] 选项在计算机上安装所有软件程序。请参阅第 2 页上的“安装软件”。
- 对于 Mac OS X 10.3 和 10.2.8：在使用扫描仪按钮之前，必须先将 Image Capture（图像捕捉）（在 [Applications]（应用程序）文件夹中）设定为按下扫描仪的某个按钮后自动打开 CanoScan Toolbox。

启动 Image Capture（图像捕捉），然后执行下列操作：

- Mac OS X 10.3：单击 [Options]（选项）并在 [When a scanner button is pressed, open:]（当按下扫描仪的某个按钮时，打开：）中选择 CanoScan Toolbox。
- Mac OS X 10.2.8：在 [When a scanner button is pressed, open:]（当按下扫描仪的某个按钮时，打开：）中选择 [Other]（其他）。选择 CanoScan Toolbox 并单击 [Open]（打开）。单击 [OK]（确定）然后退出 Image Capture（图像捕捉）。更多信息，请参阅 *扫描指南* 中的“疑难解答”。

扫描胶片

此扫描仪可扫描 35 mm 胶片条（每次 6 幅照片）。扫描胶片时请依照下述步骤。

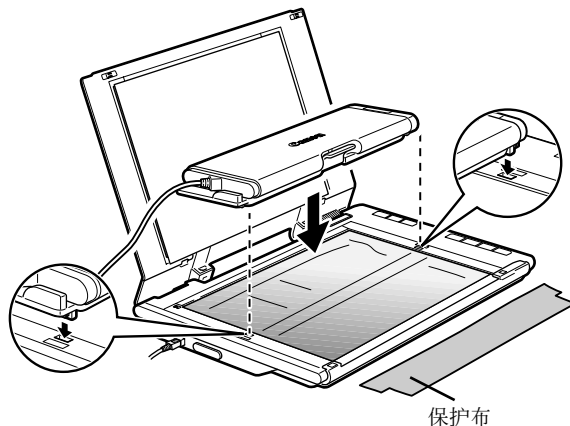


- 将胶片适配器单元置于扫描仪上之前必须先将玻璃稿台擦干净。
- 小心地操作胶片适配器单元以免损坏玻璃面板。
- 小心地操作胶片条以免将其刮伤或留下指纹。

1 通过中间闭锁打开胶片适配器单元并移去保护布。从胶片适配器单元侧面的固定器中拔出电缆。

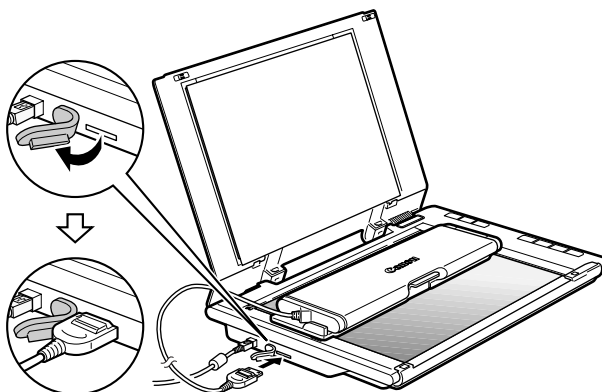
2 打开文件盖并将胶片适配器单元安放到玻璃稿台上。

将胶片适配器单元上的圆点与扫描仪上的圆点（标注为 [FAU]）对齐以将适配单元安放到位。



3 将电缆连接至位于扫描仪侧面板的接头上，然后轻轻合上文件盖。

首次扫描胶片之前必须校准扫描仪。此时请勿将胶片条放入胶片适配器单元中，因为它不需要校准。



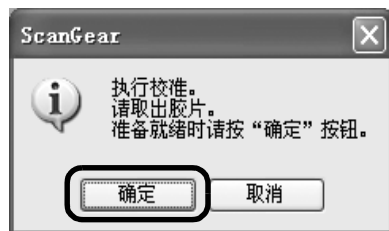
4 启动 ArcSoft PhotoStudio，然后启动 ScanGear。

依照第 4 页上“测试扫描”中的第 2 步到第 4 步进行操作。

5 在 [选择来源] 中选择 [底片 (彩色)] 或 [正片 (彩色)] 以匹配要扫描的胶片类型，然后单击 [预览]。



- 6** 单击校准信息窗口中的 [确定]。
信息消失后校准处理即完成。



- 7** 先打开文件盖，然后再打开胶片适配器单元。

- 8** 将胶片条放入胶片适配器单元的胶片导板中，并使照片之间的边界线与胶片导板上的引导线对齐。

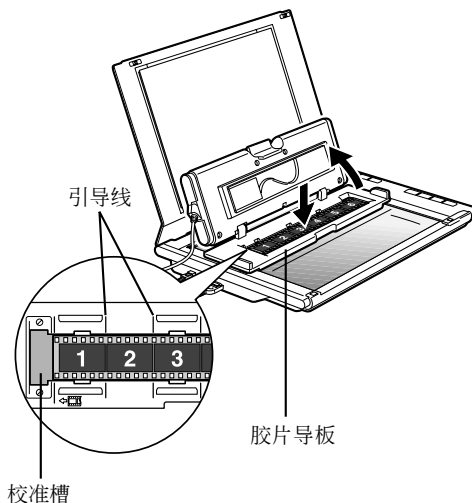


扫描胶片时请勿堵塞胶片导板上的校准槽。如果校准槽被堵塞则无法正确扫描色彩。

- 9** 合上胶片适配器单元直至其发出喀嗒一声，然后轻轻合上文件盖。

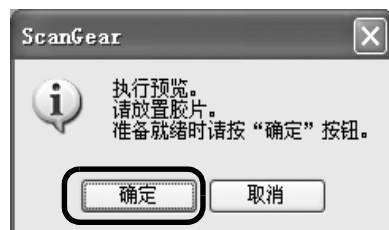


文件盖不与玻璃稿台接触。小心请勿强制压下文件盖。



- 10** 单击预览信息窗口中的 [确定]。
在预览区域会显示扫描图像。

- 11** 查看想要扫描的照片。必要时可执行图像修正。

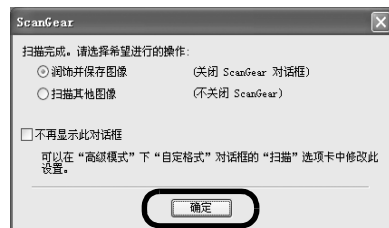


- 12** 单击 [扫描] 以启动扫描。



扫描仪运行时切勿触摸扫描仪。

- 13** 当提示关闭 ScanGear 时，单击 [确定]。



- 14** 在 ArcSoft PhotoStudio 中保存扫描图像并关闭窗口。

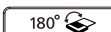


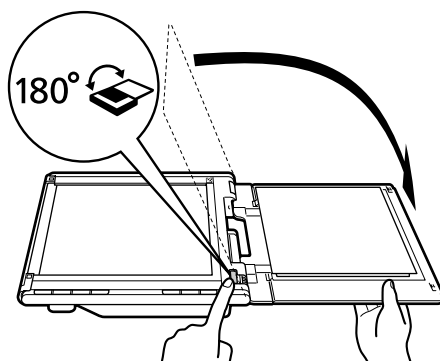
- 扫描结束后，请断开与胶片适配器单元的连接。务必使用随机提供的保护布以保护玻璃面板免于刮伤。妥善保管保护布以备将来使用。
- 切勿使胶片条在胶片适配器单元中滞留时间过长，否则胶片适配器单元产生的热量可能会损坏胶片。
- 关于扫描胶片的更多信息，请参阅 *扫描指南* 中的“扫描胶片”。

扫描仪的放置

水平放置

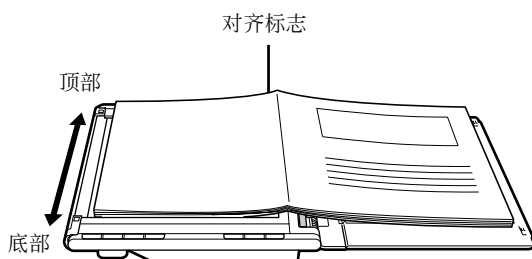
文件盖完全打开以便于扫描大尺寸或装订的文稿。尺寸过大的文稿可用 CanoScan Toolbox 的缝合助手功能分割扫描至单个图像中。更多信息，请参阅*扫描指南*。

用手扶住文件盖，小心地将其打开并在打开文件盖的过程中始终按住底部铰链处的  不放。



切勿将重量为 2.0 kg 或以上的对象放置于扫描仪上。扫描仪可能无法工作，或者当用力压下文稿时可能会压碎玻璃稿台。

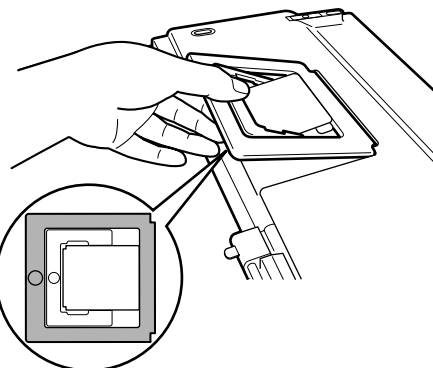
如果外部光线进入扫描对象四周，则请用一块黑布盖住扫描仪。



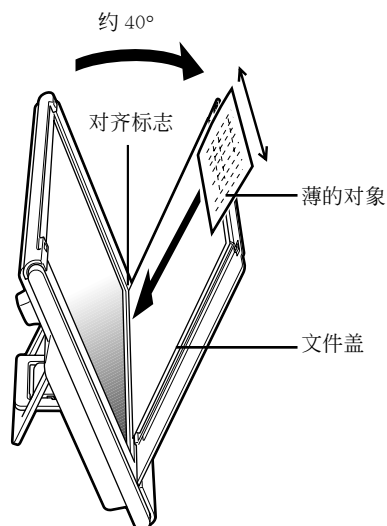
直立放置

如果要扫描薄的文稿（例如一张单页表格或一张双折页表格）时，则此种放置方式可节省大量空间。以此种方式放置时无法扫描厚的文稿或胶片。

将扫描仪底部的底座拉出直至其发出喀嗒一声，然后将扫描仪直立放置于平稳表面。轻轻地将文件盖打开至所能打开的最大角度（大约 40° 时停下），然后将文稿沿文件盖滑下。



- 切勿强制打开文件盖；文件盖在直立放置时无法完全打开。
- 当将扫描仪提升至直立位置时，必须首先合上并固定文件盖。



规格

| | | |
|--------------------|--------|--|
| 扫描仪类型 | | 平台型 |
| 扫描元件 | | CIS (彩色接触图像感应器) |
| 光源 | | 3 色 (RGB) 灯 |
| 光学分辨率 *1 | | 4800 x 9600 dpi |
| 可选分辨率 | | 25-19200 dpi (ScanGear) |
| 扫描位深度 | 彩色 | 16 位输入 / 各颜色 (RGB) 16 位或 8 位输出 |
| | 灰度 | 16 位输入 / 16 位 *2 或 8 位输出 |
| 扫描速度 *3 (照片或文档) | 彩色 | 34.3 msec./线 (2400 dpi), 34.3 msec./线 (4800 dpi) |
| | 灰度, 黑白 | 11.4 msec./线 (2400 dpi), 11.4 msec./线 (4800 dpi) |
| 扫描速度 *3 (胶片) | | 5.6-223.9 msec./线 |
| 预览速度 *3*4 | | 约 9 秒 |
| 接口 | | USB 2.0 Hi-Speed |
| 最大文档大小 | | A4/Letter: 216 x 297 mm |
| 胶片类型 / 照片数量 | | 35 mm 胶片条 *5 (最多 6 幅照片) |
| 扫描仪按钮 | | 7 个按钮 (PDF 4 个, COPY、PHOTO/FILM 和 E-MAIL) |
| 作业范围 | 温度 | 5°C 至 35°C (41°F 至 95°F) |
| | 湿度 | 10% 至 90% RH, 扫描胶片时为 20% 至 80% RH (无湿气凝结) |
| 电源要求 | | 通过 USB 端口 (不需要外部适配器) 供电 |
| 功率消耗 | | 运行时: 最大 2.5 瓦, 待机时: 0.6 瓦 |
| 最大外部尺寸 | | 286 x 409 x 43 mm |
| 重量 | | 约 2.6 kg*6 |

*1 光学分辨率指基于 ISO 14473 标准的最大取样率。

*2 仅适用于胶片扫描。

*3 Windows 个人计算机上 USB 2.0 Hi-Speed 模式中的最快速度。不包括传输时间。扫描速度因文档类型、扫描设置或计算机规格不同而变化。

*4 不包括校准处理时间。

*5 不支持 35 mm 胶片条。

*6 包括胶片适配器单元的重量。

• 规格若有变更, 恕不另行通知。

警告

使用本产品时，请注意以下法律方面的事项：

- 对银行票据（银行账单）、政府债券和公用证书等文件的扫描可能受法律禁止且可能引起刑事 / 或民事责任。
- 按照法律，您可能需要获得扫描文件的版权及其他合法权利持有人的许可。

如若不确定对某个特定项目进行扫描是否具有合法性，可事先垂询您的法律顾问。

- Adobe® 和 Adobe® RGB（1998）是 Adobe Systems Incorporated 在美国和 / 或其他国家的注册商标或商标。
- Microsoft® 和 Windows® 是 Microsoft Corporation 在美国和 / 或其他国家的注册商标或商标。
- Macintosh、Mac 和 Mac 标志是 Apple Computer, Inc. 在美国和其他国家的商标。
- ©ArcSoft, Inc. 保留 PhotoStudio 的所有权利。
- 上述未提及的其他名称和产品也可能是其各自公司的注册商标或商标。

시작하기

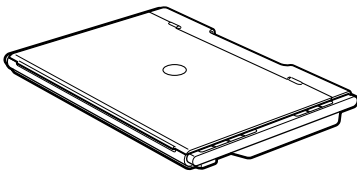
스캐너를 사용하기 전에 본 설명서를 읽어 주십시오. 모두 읽으신 후에는 나중에 참조할 수 있도록 안전한 장소에 보관해 주십시오.

| 목차 | |
|-----------------|---|
| 포장 내용물 확인 | 1 |
| 소프트웨어 설치 | 2 |
| 스캐너 준비 | 3 |
| 스캐닝 테스트 | 4 |
| 스캐너 버튼 사용 | 5 |
| 필름 스캔 | 6 |
| 스캐너 배치 | 8 |
| 제품 사양 | 9 |

이 단권

포장 내용물 확인

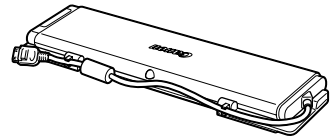
스캐너 및 액세서리



스캐너



USB 케이블



필름 어댑터 단원
(보호용 형질 포함)

설명서

- 시작하기(본 설명서)
- 부가 설명서

CanoScan 설치 유틸리티 CD-ROM

- 소프트웨어 프로그램
 - ScanGear(스캐너 드라이버)
 - CanoScan Toolbox
 - ArcSoft PhotoStudio
 - Presto! PageManager*(Windows 전용)
 - ScanSoft OmniPage SE*(Macintosh 전용)
 - Adobe RGB(1998) (Windows 전용)
- * 영문으로 설치됨
- 전자 매뉴얼
 - 스캔 가이드(ScanGear, CanoScan Toolbox용 및 문제점 해결용)
 - 번들형 응용 프로그램 매뉴얼

• 이 설명서에서는 Windows XP의 화면을 예로 들어 설명하였으며, 설명 내용은 모든 운영 체제에 똑같이 적용됩니다.

소프트웨어 설치



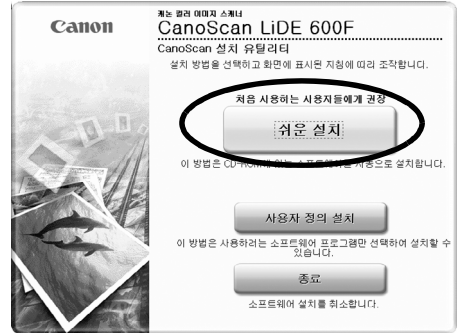
- 소프트웨어를 설치하기 전에 컴퓨터에 스캐너를 연결하지 마십시오. 스캐너를 연결하고 새 하드웨어 검색 마법사가 나타나면 [최소]를 클릭합니다.
- 설치하기 전에 바이러스 검사 소프트웨어를 포함한 실행 중인 모든 어플리케이션을 종료합니다.
- Windows 2000/XP를 사용할 경우 관리자로 로그인하여 소프트웨어를 설치합니다.

1 드라이브에 CanoScan 설치 유틸리티 CD-ROM을 넣습니다.

메시지가 표시되면 언어와 거주지를 선택합니다. CanoScan 설치 유틸리티 프로그램이 시작됩니다.

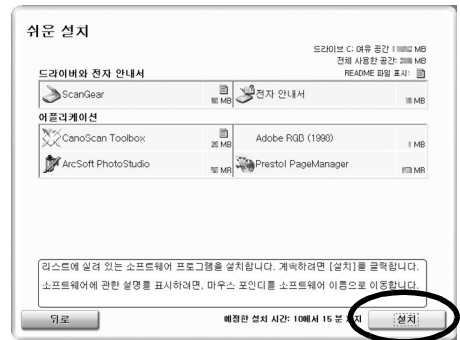
- Macintosh의 경우: [SetUp](설치) 아이콘을 두 번 클릭합니다. 인증 대화 상자에 관리자 ID와 암호를 입력합니다.

2 기본 메뉴에서 [쉬운 설치]를 클릭합니다.



3 설치를 시작하려면 [설치]를 클릭합니다.

라이선스 계약서를 주의 깊게 읽은 다음 [예]를 클릭하여 계속 진행합니다. 모든 소프트웨어 프로그램과 전자 매뉴얼이 컴퓨터에 설치됩니다.



4 번들형 응용 프로그램의 경우 화면 상의 지침을 따라 설치를 수행합니다.



5 설치가 완료되면 [다시 시작]을 클릭하여 컴퓨터를 다시 시작합니다.

설치가 성공적으로 완료되었습니다.

시스템을 지금 다시 시작하십시오(권장)



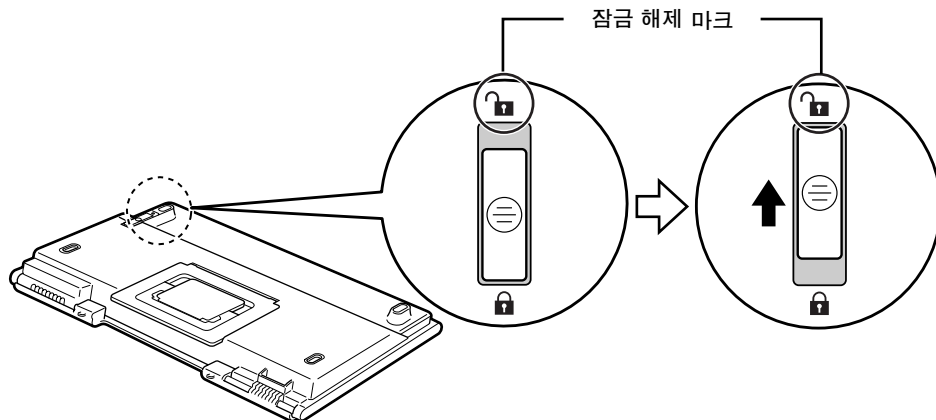
- 드라이브에서 CD-ROM을 꺼내어 안전한 곳에 보관합니다.
- 설치 중 문제가 발생한 경우 *스캔 가이드*의 "문제점 해결"을 참조하십시오.
- 이후에 OS를 Windows XP로 업그레이드하는 경우 소프트웨어를 다시 설치합니다.
- 일부 언어의 경우에는 스캔 가이드가 CD-ROM의 [Manual] 폴더에 들어 있습니다.

스캐너 준비

스캐너의 잠금 해제

1 스캐너의 포장을 벗깁니다.

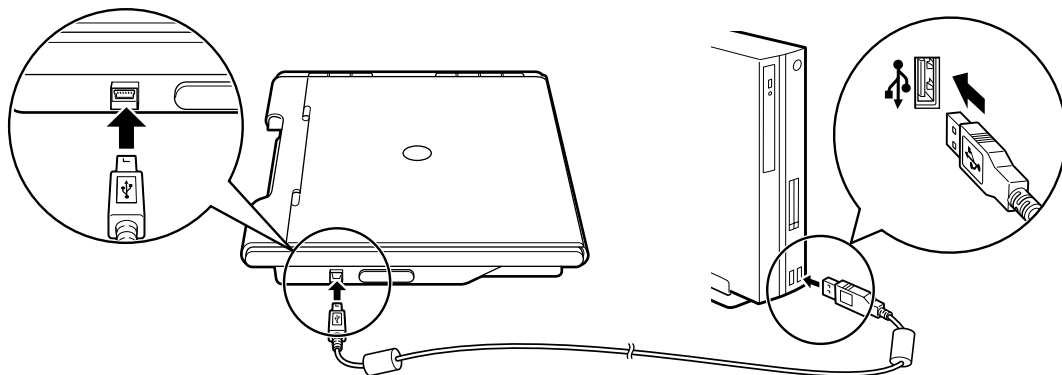
2 스캐너 바닥의 잠금 스위치를 잠금 해제 마크(🔓) 쪽으로 밀니다.



- 양손으로 스캐너를 잡고, 스캐너가 떨어지지 않도록 조심하십시오.
- 스캐너를 휴대하거나 옮길 때에는 스캐너를 항상 잠그십시오.

스캐너 연결

1 제공된 USB 케이블을 사용하여 스캐너를 컴퓨터에 연결합니다.




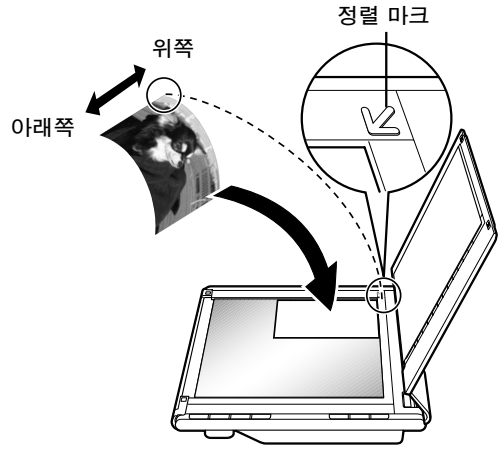
- 스캐너와 함께 제공된 USB 케이블만 사용해야 합니다. 다른 케이블을 사용하면 기능장애가 발생할 수 있습니다.
- Windows XP에서 스캐너를 USB 1.1 포트에 연결할 때 "HI-SPEED USB 장치가 비 HI-SPEED USB 허브에 꽂혀 있음"이라는 메시지가 나타나더라도 걱정하지 마십시오. 스캐너 작동에서 아무런 문제가 없습니다.
- 스캐너에는 전원 스위치가 없습니다. 컴퓨터를 켜면 자동적으로 전원이 켜집니다.

스캐닝 테스트

이 단원에서는 ArcSoft PhotoStudio 이미지 편집 프로그램과 ScanGear 스캐너 드라이버를 사용한 기본 스캔 절차에 대해 설명합니다.

1 문서를 원고대 유리 위에 올려 놓고 원고대 덮개를 덮습니다.

 원고대 덮개를 열 때는 덮개가 다 열릴 때까지 덮개를 손으로 받칩니다.



2 ArcSoft PhotoStudio를 시작합니다.

- Windows의 경우: [시작] - [(모든) 프로그램] - [ArcSoft PhotoStudio 5.5]를 차례로 선택하고 [PhotoStudio 5.5]를 클릭합니다.
- Macintosh의 경우: [Applications](응용 프로그램) - [PhotoStudio] 폴더를 연 다음 [PhotoStudio] 아이콘을 두 번 클릭합니다.

3 [파일] 메뉴에서 [소스 선택]을 클릭하고 스캐너 모델을 선택합니다.


Windows의 경우: [WIA]가 포함된 모델 이름은 선택하지 마십시오.

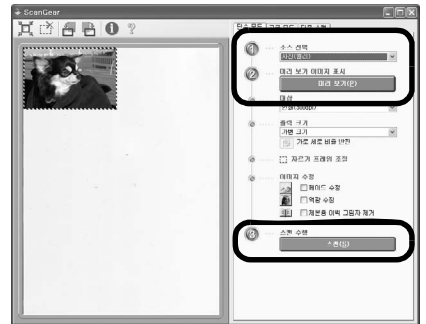
4 [볼러오기] 아이콘 을 클릭하여 ScanGear를 시작합니다.

5 [소스 선택]에서 스캔 중인 문서 유형을 선택하고 [미리 보기]를 클릭합니다.

6 필요하면 [대상] 및/또는 [출력 크기]를 설정합니다.

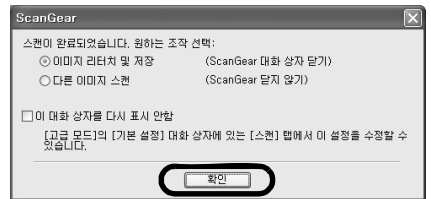
7 스캔을 시작하려면 [스캔]을 클릭합니다.


 작동 중에는 스캐너를 만지지 마십시오.



8 ScanGear를 닫으라는 메시지가 표시되면 [확인]을 클릭합니다.

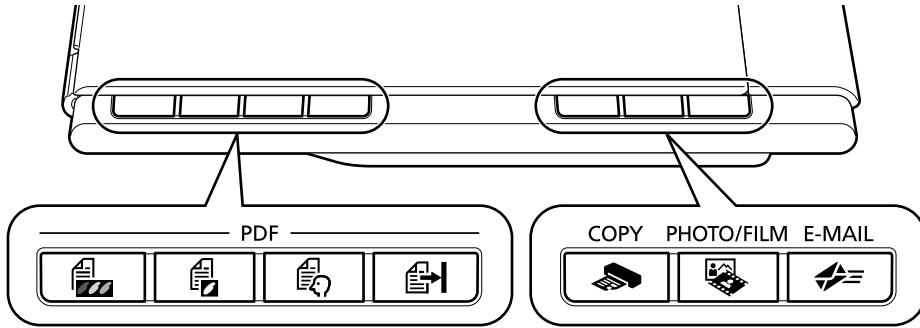
9 스캔한 이미지를 ArcSoft PhotoStudio에 저장하고 창을 닫습니다.



ScanGear를 사용한 스캔, 번들형 응용 프로그램 및 문제점 해결에 대한 자세한 내용은 *스캔 가이드* 전자 매뉴얼을 참조하십시오. *스캔 가이드*를 열려면 바탕 화면에 있는 안내서 아이콘을 두 번 클릭하거나 ScanGear 또는 CanoScan Toolbox에서  를 클릭하십시오.

스캐너 버튼 사용

스캐너 버튼을 사용하면 스캔한 이미지를 버튼 한 번만 눌러 복사, 스캔, 전자 메일 메시지에 첨부 및 PDF 형식으로 저장할 수 있습니다. 스캐너 위에 문서를 올려 놓은 다음 필요한 기능의 스캐너 버튼을 누르십시오. 자세한 내용은 *스캔 가이드*를 참조하십시오.



PDF 버튼

PDF 버튼을 사용하면 필요에 맞게 PDF 파일을 쉽게 만들 수 있습니다. 버튼 이름은 스캐너에 표시되지 않습니다.

COLOR 버튼

A4 또는 Letter 크기*에 300dpi 해상도로 컬러 이미지를 스캔합니다.

BLACK & WHITE 버튼

A4 또는 Letter 크기*에 300dpi 해상도로 흑백 이미지를 스캔합니다.

CUSTOM 버튼

사용자가 지정한 설정에 따라 이미지를 스캔합니다.

FINISH 버튼

스캔한 이미지를 PDF 파일로 저장하고 작업을 완료합니다.

* 크기는 시스템 환경에 따라 다를 수 있습니다.

COPY 버튼

스캔한 이미지를 프린터에서 인쇄(복사)합니다.

PHOTO/FILM 버튼

스캔한 이미지를 번들형 응용 프로그램인 ArcSoft PhotoStudio에서 엽니다.

E-MAIL 버튼

스캔한 이미지를 새 전자 메일 메시지에 첨부합니다. 이 버튼을 처음 누르게 되면 이 기능과 함께 사용할 전자 메일 프로그램을 선택하라는 메시지가 표시됩니다.

• 스캐너 버튼을 사용하기 전에 CanoScan 설치 유틸리티 프로그램의 [쉬운 설치] 옵션을 사용해 모든 소프트웨어 프로그램을 컴퓨터에 설치합니다. 2페이지의 "소프트웨어 설치"를 참조하십시오.

• Mac OS X 10.3 및 10.2.8의 경우: 스캐너 버튼을 사용하기 전에 스캐너 버튼을 누를 때 CanoScan Toolbox가 자동으로 열리도록 [Applications] 폴더에 있는 Image Capture(이미지 캡처)를 설정해야 합니다.

Image Capture(이미지 캡처)를 시작하고 다음을 수행합니다:

- Mac OS X 10.3: [Options](옵션)를 클릭하고 [When a scanner button is pressed, open:](스캐너 버튼을 누르면 열리는 항목)에서 CanoScan Toolbox를 선택합니다.
- Mac OS X 10.2.8: [When a scanner button is pressed, open:](스캐너 버튼을 누르면 열리는 항목)에서 [Other](기타)를 선택합니다. CanoScan Toolbox를 선택하고 [Open](열기)을 클릭합니다.

[OK](승인)를 클릭하고 Image Capture(이미지 캡처)를 종료합니다. 자세한 내용은 *스캔 가이드*의 "문제점 해결" 단원을 참조하십시오.

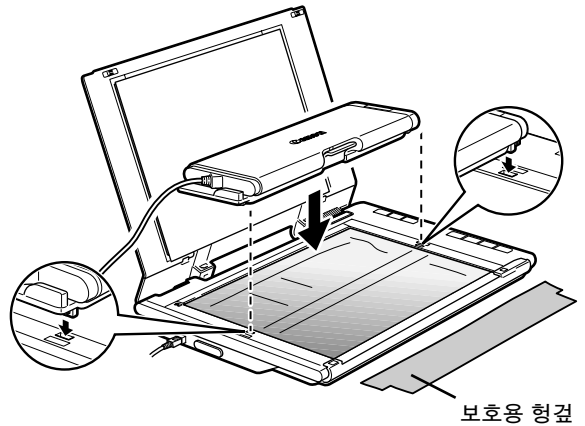
필름 스캔

이 스캐너는 35mm 필름 스트립을 스캔할 수 있습니다(한 번에 6개 프레임씩). 필름을 스캔할 때는 아래 절차를 따릅니다.

- 필름 어댑터 단원을 스캐너에 올려 놓기 전에 원고대 유리를 깨끗하게 닦으십시오.
- 유리 패널이 손상되지 않게 필름 어댑터 단원을 조심해서 다루십시오.
- 굵거나 지문이 남지 않게 필름 스트립을 조심해서 다루십시오.

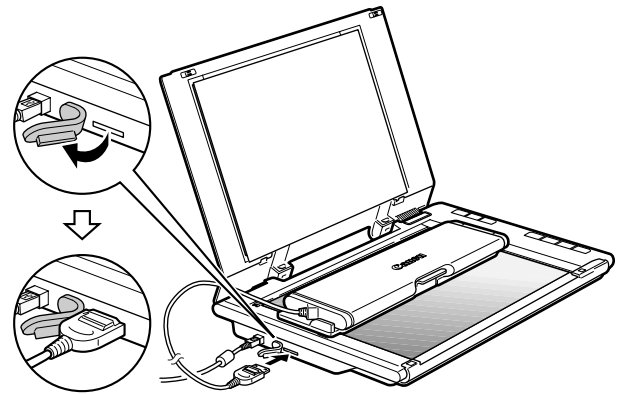
1 필름 어댑터 단원을 가운데 걸쇠까지 열고 보호용 형광을 제거합니다. 필름 어댑터 단원의 측면에서 케이블을 떼어 냅니다.

2 원고대 덮개를 열고 필름 어댑터 단원을 원고대 유리에 놓습니다.
필름 어댑터 단원에 있는 점을 스캐너([FAU] 라벨)에 있는 점과 맞추어서 단원을 제자리에 놓으십시오.



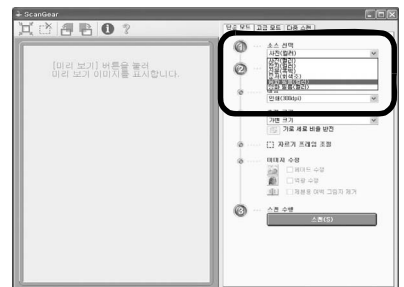
3 스캐너 측면 패널에 있는 커넥터에 케이블을 연결한 다음, 원고대 덮개를 살짝 닫습니다.

처음에는 필름을 스캔하기 전에 스캐너를 보정해야 합니다. 보정 시 불필요하므로 지금은 필름 스트립을 필름 어댑터 단원에 놓지 마십시오.



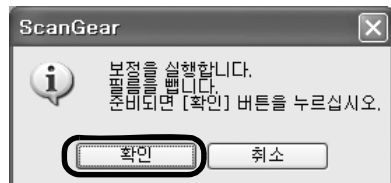
4 ArcSoft PhotoStudio를 시작한 다음, ScanGear를 시작합니다.
4페이지의 "스캐닝 테스트"에서 2 ~ 4단계를 수행합니다.

5 스캔 중인 필름 유형과 일치하도록 [소스 선택]에서 [음화 필름(컬러)] 또는 [양화 필름(컬러)]을 선택한 다음, [미리 보기]를 클릭합니다.




6 보정 메시지 창에서 [확인]을 클릭합니다.

메시지가 사라지면 보정이 완료됩니다.




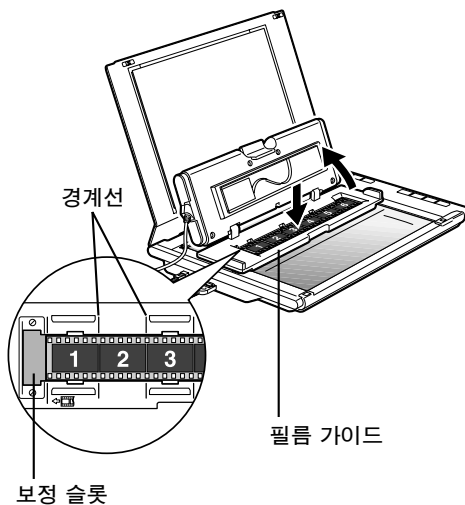
7 원고대 덮개를 연 다음, 필름 어댑터 단원을 엽니다.

8 필름 어댑터 단원의 필름 가이드에 필름 스트립을 놓고 프레임 간의 경계선을 필름 가이드의 경계선과 맞춥니다.

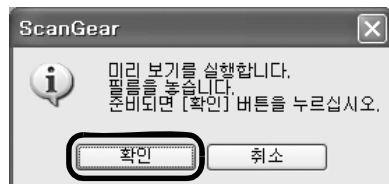
 필름을 스캔할 때 필름 가이드의 교정 홈을 막지 마십시오. 보정 슬롯에 이물질이 있으면 정확한 컬러로 스캔되지 않습니다.

9 딸깍 소리가 나도록 필름 어댑터 단원을 닫은 다음, 원고대 덮개를 살짝 닫습니다.

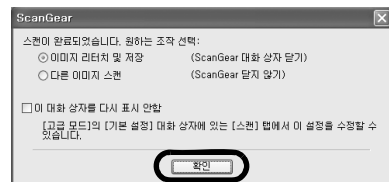
 원고대 덮개가 원고대 유리에 닿지는 않습니다. 억지로 원고대 덮개를 누르지 마십시오.




10 미리 보기 메시지 창에서 [확인]을 클릭합니다. 스캔한 이미지가 미리 보기 영역에 표시됩니다.



11 스캔하려는 프레임을 확인합니다. 필요하면 이미지 수정을 수행합니다.




12 스캔을 시작하려면 [스캔]을 클릭합니다.

 작동 중에는 스캐너를 만지지 마십시오.

13 ScanGear를 닫으라는 메시지가 표시되면 [확인]을 클릭합니다.

14 스캔한 이미지를 ArcSoft PhotoStudio에 저장하고 창을 닫습니다.

 스캔이 완료된 후 필름 어댑터 단원을 분리하십시오. 유리 패널이 굽히지 않도록 제공된 보호용 형겅으로 유리 패널을 보호하십시오. 나중에 사용할 수 있도록 보호용 형겅을 안전한 장소에 보관하십시오.


- 필름 스트립을 필름 어댑터 단원에 장기간 두지 마십시오. 기기 열로 인해 필름이 손상될 수 있습니다.
- 필름 스캔에 대한 자세한 내용은 스캔 가이드의 "필름 스캔"을 참조하십시오.

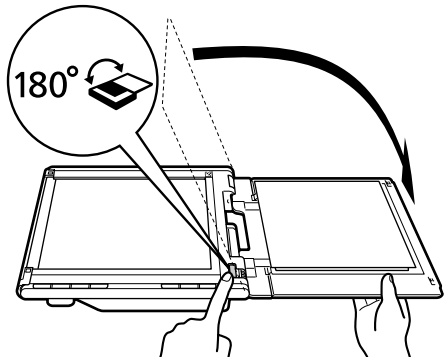
이동권


스캐너 배치

수평 배치

원고대 덮개가 활짝 열리므로 거대 문서나 제본된 문서도 쉽게 스캔할 수 있습니다. CanoScan Toolbox의 스티치 지원 기능을 사용하면 크기가 큰 문서를 여러 개의 부분으로 스캔하여 하나의 이미지로 만들 수 있습니다. 자세한 내용은 *스캔 가이드*를 참조하십시오.

원고대 덮개를 한 손으로 잡고 베이스 힌지의 를 누른 채로 조심스럽게 덮개를 아래로 완전히 펼치십시오.




 **중량이 2.0kg 이상인 항목은 스캐너에 올려 놓지 마십시오.** 원고대 유리를 세게 누르면 스캐너가 작동하지 않거나 원고대 유리가 깨질 수 있습니다.

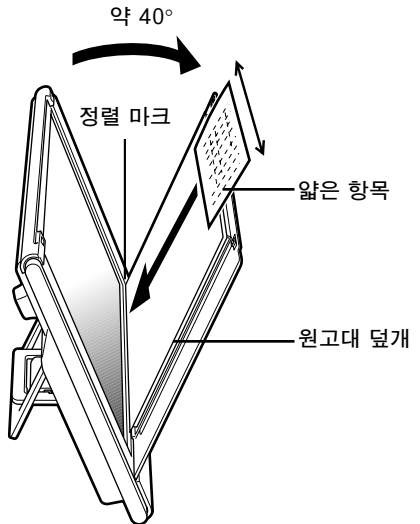
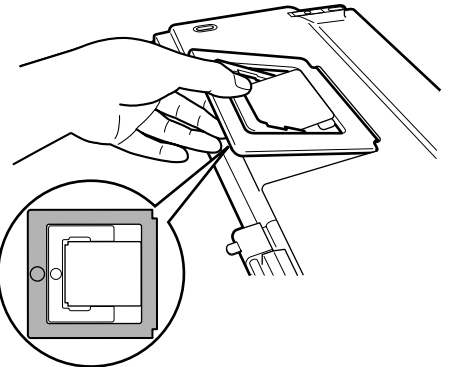
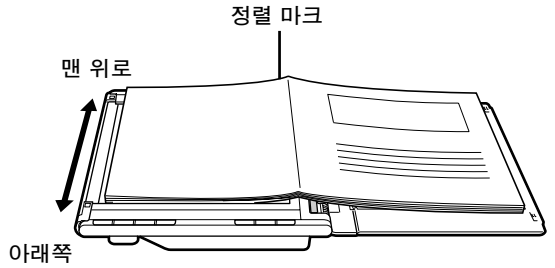
스캔한 항목 주변으로 빛이 들어오면 검은 형광으로 스캐너를 덮으십시오.

수직 배치

이것은 얇은 문서(예를 들면 한 장짜리 시트 또는 두 번 접은 시트)를 스캔하는 경우 공간을 절약할 수 있는 배치 방법입니다. 두꺼운 문서 또는 필름은 이 방식으로 스캔할 수 없습니다.

딸깍하는 소리가 날 때까지 스캐너 바닥에 있는 스탠드를 잡아 당기고, 스캐너를 평평하고 안정된 표면에 세웁니다. 열 수 있는 데까지(약 40°) 원고대 덮개를 천천히 열고 원고대 덮개를 따라 문서를 아래로 밀어 넣습니다.

 **원고대 덮개를 강제로 열지 마십시오.** 스캐너를 세워두면 덮개가 활짝 열리지 않습니다.
스캐너를 세울 때에는 먼저 원고대 덮개를 반드시 닫아서 고정하십시오.



제품 사양

| | | |
|------------------------|---------|--|
| 스캐너 유형 | | 플랫베드 |
| 스캐닝 요소 | | CIS(Color Contact Image Sensor) |
| 광원 | | 3색(RGB) LED |
| 광학 해상도 *1 | | 4800 x 9600dpi |
| 선택 가능한 해상도 | | 25 - 19200dpi(ScanGear) |
| 스캐닝 비트 심도 | 컬러 | 각 컬러(RGB)에 대해 16비트 입력 / 16비트 또는 8비트 출력 |
| | 회색조 | 16비트 입력/16비트*2 또는 8비트 출력 |
| 스캐닝 속도*3 (사진 또는 문서) | 컬러 | 줄당 34.3밀리초(2400dpi), 줄당 34.3밀리초(4800dpi) |
| | 회색조, 흑백 | 줄당 11.4밀리초(2400dpi), 줄당 11.4밀리초(4800dpi) |
| 스캐닝 속도*3 (필름) | | 줄당 5.6 - 223.9 밀리초 |
| 미리 보기 속도*3*4 | | 약 9초 |
| 인터페이스 | | USB 2.0 Hi-Speed |
| 최대 문서 크기 | | A4/Letter: 216 x 297mm |
| 필름 유형/프레임 수 | | 35mm 스트립*5(최대 6개 프레임) |
| 스캐너 버튼 | | 7개 버튼(PDF x 4, COPY, PHOTO/FILM, E-MAIL) |
| 작동 범위 | 온도 | 5°C에서 35°C(41°F에서 95°F) |
| | 습도 | 10% - 90% RH, 필름 스캐닝 시(비응결) 20% - 80% RH |
| 전원 요구 사항 | | USB 포트를 통해 제공(외부 어댑터 불필요) |
| 전력 소비량 | | 작동 시: 최대 2.5와트, 대기 시: 0.6와트 |
| 최대 외부 크기 | | 286 x 409 x 43 mm |
| 무게 | | 약 2.6kg*6 |

이동형

*1 광학 해상도는 ISO 14473을 바탕으로 한 최대 샘플링 속도를 나타냅니다.

*2 필름 스캔 시에만 적용.

*3 Windows PC의 USB 2.0 Hi-Speed 모드에서 가장 빠른 속도. 전송 시간은 포함되어 있지 않습니다. 스캔 속도는 문서 유형, 스캔 설정 또는 컴퓨터 사양에 따라 다릅니다.

*4 보정 처리 시간은 포함되어 있지 않습니다.

*5 35mm 슬라이드는 지원되지 않습니다.

*6 필름 어댑터 단원이 포함된 무게입니다.

• 사양은 사전 예고없이 변경될 수 있습니다.

| 기종별 | 사용자 안내문 |
|-------------------|--|
| B급 기기(가정용 정보통신기기) | 이 기기는 가정용으로 전자파적합등록을 한 기기로서 주거지역에서는 물론 모든 지역에서 사용할 수 있습니다. |

경고

이 제품을 사용할 때에는 다음과 같은 법적인 문제에 주의해야 합니다.

- 은행권(지폐), 국채, 증권과 같은 특정 문서의 스캔은 법적으로 금지되어 있으며 이를 위반하는 경우 민형사상 처벌 대상이 될 수 있습니다.
- 저작권법에 따라 스캔할 항목의 저작권자 또는 기타 법적 권한을 가진 자로부터 허가를 받아야 할 경우가 있습니다. 특정 항목을 스캔하는 일이 적법한 행위인지 확실하지 않다면 먼저 법률 전문가에게 문의하십시오.

- Adobe® 및 Adobe® RGB (1998)는 미국 및/또는 기타 국가에서 Adobe Systems Incorporated의 등록 상표 또는 상표입니다.
- Microsoft® 및 Windows®는 미국 및/또는 기타 국가에서 Microsoft Corporation의 등록 상표 또는 상표입니다.
- Macintosh, Mac 및 Mac 로고는 미국 및 기타 국가에서 등록된 Apple Computer, Inc.의 상표입니다.
- ©ArcSoft, Inc. PhotoStudio에 대한 모든 권리 보유.
- 위에서 언급하지 않은 기타 명칭 및 제품은 각 해당 회사의 상표 또는 등록 상표입니다.

품질보증서

본 제품을 구입하여 주셔서 감사합니다. 보증기간 내 제조상의 결함으로 고장이 발생하였을 경우에는 본 보증서를 제시하시고 구입하신 판매점이나 폐사 고객 상담실로 연락하여 주시면 보증규정에 의거 무상으로 수리하여 드립니다.

제품을 구입하신 후 30일 이내에 홈페이지를 방문하셔서 E-Mail회원으로 등록하시면 보증기간을 1년 추가 연장(최대 2년) 및 그 밖의 많은 정보를 얻을 수 있습니다. (해당 제품은 홈페이지 참조)

| | | | |
|------|--|-------|--|
| 모델명 | | 제품번호 | |
| 판매점명 | | 전화번호 | |
| 구입일자 | | 납품담당자 | |

고객

| | | | |
|---------|--|-------------------|--|
| 고객(상호)명 | | 전화번호 | |
| 대표자명 | | 사업자번호 (주민등록번호) | |
| 주소 | | 설치부서 | |
| 업태 | | 종목 | |

1. 본 품질보증서는 보증기간 내 무상수리를 받을 수 있는 증서이므로 구입하신 곳 직원에게 확실하게 내용을 기재하도록 요청하시기 바랍니다.
2. 수리를 요할 때는 품질보증서를 꼭 제시하십시오.
3. 품질보증서는 소중히 보관하십시오.
4. 본 보증서는 대한민국 국내에서만 유효합니다.

고객 상담실 : ☎ 1588-2500 FAX : (02)851-0371

인터넷 홈페이지 : <http://www.canon-bs.co.kr>

보증규정

고객께서 구입하신 본 제품에 대하여 아래와 같은 조건으로 보증하여 드립니다.

보증규정

1. 보증기간

본 제품의 정상적인 상태에서 발생한 고장에 대하여서는 구입일로부터 1년간 무상으로 수리하여 드립니다.

2. 보증수리 제외사항

- 1) 고객의 취급부주의 및 조작의 잘못으로 인한 고장이나 파손
- 2) 당사 지정 수리요원 이외에 제3자가 수리하였거나 부당한 수리개조에 의한 고장이나 파손
- 3) 사용전원 장애로 인한 고장 및 파손
- 4) 당사 지정 소모품 및 소모성 부품 이외의 사용으로 인한 고장이나 파손
- 5) 천재지변에 의한 고장 및 파손

3. 소모성 부품

보증기간 이내라도 유상으로 수리하여 드립니다.

4. 보증기간 외의 수리

보증기간 경과 후의 수리 요청 시에는 소정의 기술료를 징수합니다.

5. 기타

본 보증규정 이외의 사항에 대하여는 "소비자 보호법"에 의거한 "소비자 피해보상 규정"에 의해 처리됩니다.

■ 소모성 부품

제품의 보증기간 중에도 노화 또는 파손으로 교환해야 할 경우도 발생할 수 있으며 불량인 시점에서 교환해야 될 부품입니다.

■ 택배 서비스

폐사에서는 직접 방문하기 어려우신 고객님의 편의를 위해 택배서비스를 실시하고 있습니다.

택배안내 : (02) 2109-3173 (자세한 사항은 홈페이지 참조)

Canon

캐논코리아 비즈니스 솔루션

고객 상담실 : ☎ 1588-2500 FAX : (02)851-0371

인터넷 홈 페이지 : <http://www.canon-bs.co.kr>

소모품 및 서비스 연락처

판 매 점

전화번호

CanoScan LiDE 600F

快速入門指南

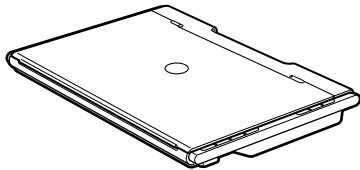
在操作掃描儀之前，請仔細閱讀本指南。閱讀完畢之後，請將本指南存放在安全地點以備將來使用。

目錄

| | | | |
|--------------|---|--------------|---|
| 包裝內的物品 | 1 | 使用掃描儀按鈕..... | 5 |
| 安裝軟體 | 2 | 掃描膠片..... | 6 |
| 準備掃描儀 | 3 | 掃描儀的放置..... | 8 |
| 嘗試掃描 | 4 | 規格..... | 9 |

包裝內的物品

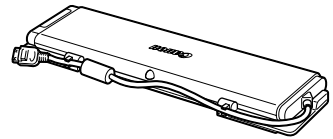
掃描儀和附件



掃描儀



USB 電纜



膠片適配器單元
(帶保護布)

文件

- 快速入門指南 (本文件)
- 附加文件

CanoScan 設定公用程式 CD-ROM

- 軟體應用程式
 - ScanGear (掃描儀驅動程式)
 - CanoScan Toolbox
 - ArcSoft PhotoStudio
 - Presto! PageManager (僅限 Windows)
 - RosettaStone* (Windows)/ScanSoft OmniPage SE (Macintosh)
 - Adobe RGB (1998) (僅限 Windows)

* 不支援 Windows 98 第一版

- 電子手冊
 - 掃描指南 (英文版) (包含 ScanGear、CanoScan Toolbox 和故障排除)
 - 網綁應用程式的手冊

* 在本指南中，使用 Windows XP 螢幕截圖作為所有作業系統的共同插圖說明。

安裝軟體



- 安裝軟體之前切勿將掃描儀連接至電腦。如果您連接了掃描儀並出現發現新硬體精靈，請按一下 [取消]。
- 安裝之前請退出所有正在執行的應用程式，包括防病毒軟體。
- 對於 Windows 2000/XP，請以管理員身份登入安裝軟體。

1 將 CanoScan 設定公用程式 CD-ROM 放入光碟機。

如果出現提示，請選擇您的語言和居住地。CanoScan 設定公用程式啓動。

- 對於 Macintosh: 按兩下 [Setup] (安裝) 圖示。在認證對話方塊中鍵入管理員 ID 和密碼。

2 按一下主選單中的 [簡易安裝]。

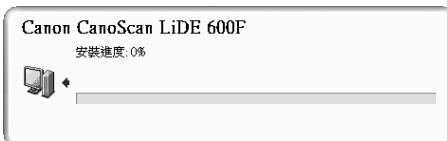


3 按一下 [安裝] 開始安裝。

仔細閱讀授權協定，然後按一下 [是] 繼續操作。所有軟體程式和電子手冊 將被安裝到您的電腦上。



4 對於網綁應用程式，請按照畫面上的說明進行安裝。




5 安裝完成時，按一下 [重新啓動] 重新啓動電腦。

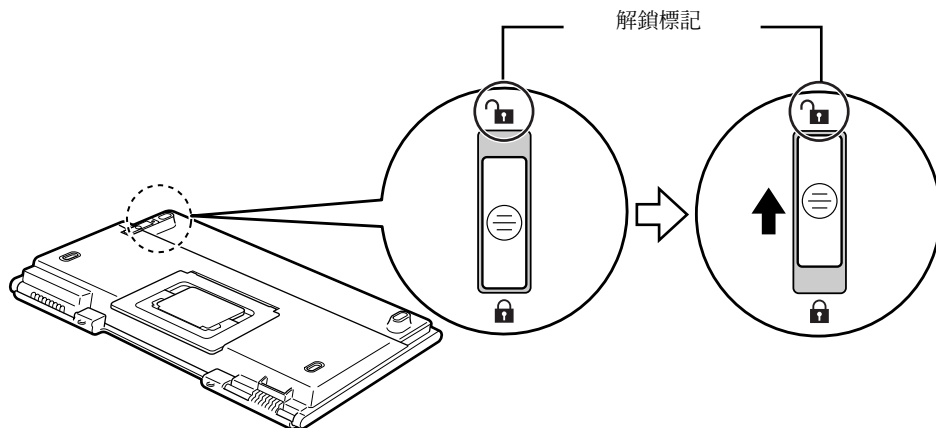


- 請務必將 CD-ROM 從光碟機中取出，然後將其存放在安全的地方。
- 如果在安裝過程中您遇到了問題，請參閱掃描指南中的“故障排除”。
- 如果您之後將您的作業系統升級至 Windows XP，則請重新安裝軟體。
- 對於某些語言，Scanning Guide (掃描指南在) CD-ROM 中的 [Manual] 資料夾內。

準備掃描儀

解除掃描儀的鎖定

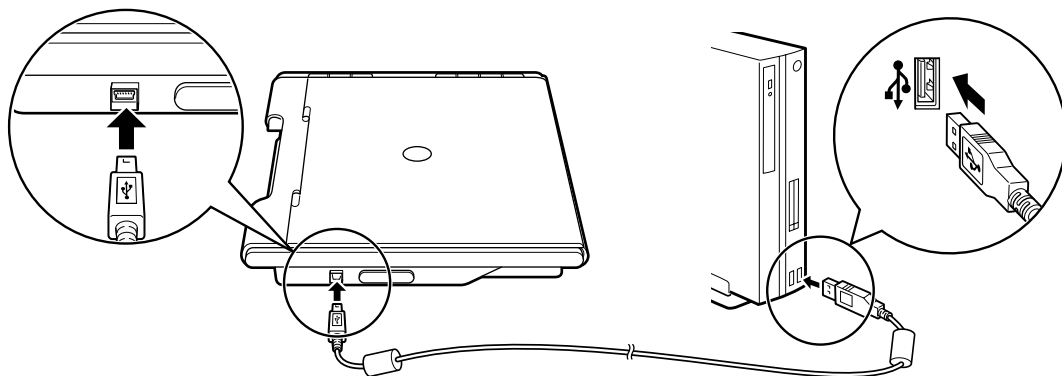
- 1 撕下掃描儀上的封條。
- 2 將掃描儀底部的鎖定開關朝解鎖標記（）方向滑動。



- 請用雙手搬動掃描儀。小心不要使掃描儀跌落。
- 攜帶或運送掃描儀時都必須鎖住掃描儀。

連接掃描儀

- 1 使用附送的 USB 電纜將掃描儀連接至電腦。



- 僅可使用隨掃描儀提供的 USB 電纜。使用其他電纜可能會導致故障。
- 當在 Windows XP 中將掃描儀連接至 USB 1.1 連接埠，且出現“HI-SPEED USB Device Plugged into non-HI-SPEED USB Hub”訊息時，請忽略此訊息。掃描儀在此情況下能正常使用，不會有問題。
- 本掃描儀沒有電源開關。一旦打開電腦，掃描儀將立即通電。

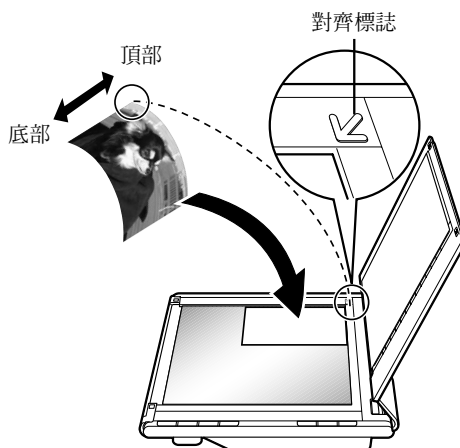
嘗試掃描

本部分介紹了使用影像編輯程式、ArcSoft PhotoStudio、掃描儀驅動程式和 ScanGear 的基本掃描步驟。

1 將原稿放在原稿玻璃上並關閉原稿蓋。



打開原稿蓋時，請用手扶持直至其停止。



2 啓動 ArcSoft PhotoStudio。

- 對於 Windows：選擇 [開始] - [(所有) 程式] - [ArcSoft PhotoStudio 5.5]，然後按一下 [PhotoStudio 5.5]。
- 對於 Macintosh：打開 [Applications] (應用程式) - [PhotoStudio] 資料夾，然後按兩下 [PhotoStudio] 圖示。

3 在 [檔案] 選單中，按一下 [選取來源]，然後選擇掃描儀機型。
對於 Windows：切勿選擇機型名稱中包含 [WIA] 的名稱。

4 按一下 [獲取] 圖示 啓動 ScanGear。

5 在 [選擇來源] 中選擇您要掃描的原稿類型，然後按一下 [預覽]。

6 根據需要設定 [目的] 和 / 或 [輸出尺寸]。

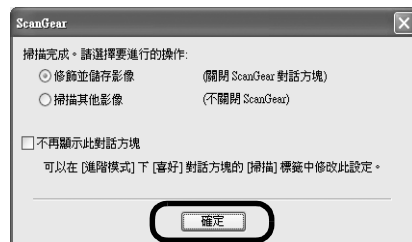
7 按一下 [掃描] 開始掃描。




在操作過程中，切勿碰觸掃描儀。

8 當出現提示要求關閉 ScanGear 時，按一下 [確定]。

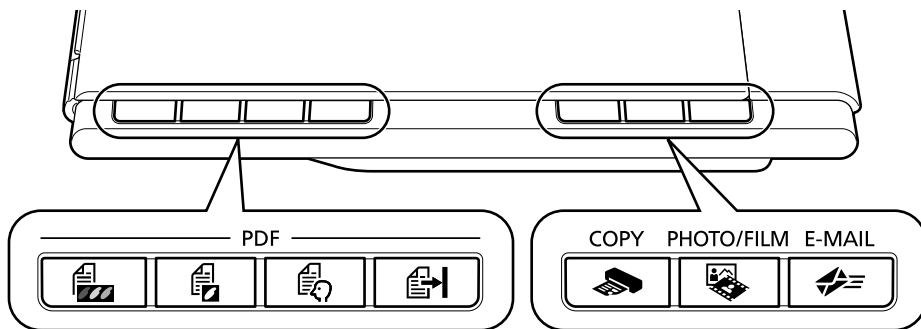
9 掃描後的影像儲存在 ArcSoft PhotoStudio 中，並關閉視窗。



關於使用 ScanGear 進行掃描、網綁應用程式以及故障排除的更多訊息，請參閱電子手冊 *掃描指南*。若要開啓 *掃描指南*，請按兩下桌面上的手冊圖示，或按一下 ScanGear 或 CanoScan Toolbox 中的.

使用掃描儀按鈕

掃描器按鈕可讓您只需按下一個按鈕即可複製、掃描、發送電子郵件以及以 PDF 格式儲存掃描的影像。只需將原稿放在掃描器上，然後按所需功能對應的掃描器按鈕即可。更多資訊，請參閱 *掃描指南*。



PDF 按鈕

PDF 按鈕可讓您根據需要輕鬆製作 PDF 檔案。請注意，這些按鈕在掃描儀上並未用標籤標記。

COLOR 按鈕

以 300 dpi 掃描 A4 或 Letter 尺寸* 的彩色影像。

BLACK & WHITE 按鈕

以 300 dpi 掃描 A4 或 Letter 尺寸* 的黑白影像。

CUSTOM 按鈕

採用用戶指定的設定掃描影像。

FINISH 按鈕

將掃描的影像另存為 PDF 檔案，並完成操作。

* 尺寸可能因系統環境而異。

COPY 按鈕

使用印表機列印（影印）掃描的影像。

PHOTO/FILM 按鈕

在捆綁的應用程式 ArcSoft PhotoStudio 中打開掃描的影像。

E-MAIL 按鈕

將掃描的影像作為新電子郵件的附加檔案。第一次按此按鈕時，將提示您選擇電子郵件程式來配合此功能使用。

● 使用掃描儀按鈕之前，請務必使用 CanoScan 設定公用程式的 [簡易安裝] 選項在電腦上安裝了所有軟體程式。請參閱第 2 頁上的“安裝軟體”。

● 對於 Mac OS X 10.3 和 10.2.8: 在使用掃描儀按鈕之前，您需要將 Image Capture（影像獲取）（在 [Applications]（應用程式）資料夾中）設定為按掃描儀按鈕時自動開啓 CanoScan Toolbox。

啓動 Image Capture（影像獲取），然後執行下列操作：

- Mac OS X 10.3: 按一下 [Options]（選項），然後在 [When a scanner button is pressed, open:]（按下掃描器按鈕時，開啓：）中選擇 CanoScan Toolbox。
- Mac OS X 10.2.8: 在 [When a scanner button is pressed, open:]（按下掃描器按鈕時，開啓：）中選擇 [Other]（其它）。選擇 CanoScan Toolbox，然後按一下 [Open]（開啓）。按一下 [OK]（確定）並退出 Image Capture（影像獲取）。更多資訊，請參閱掃描指南中的“故障排除”。

掃描膠片

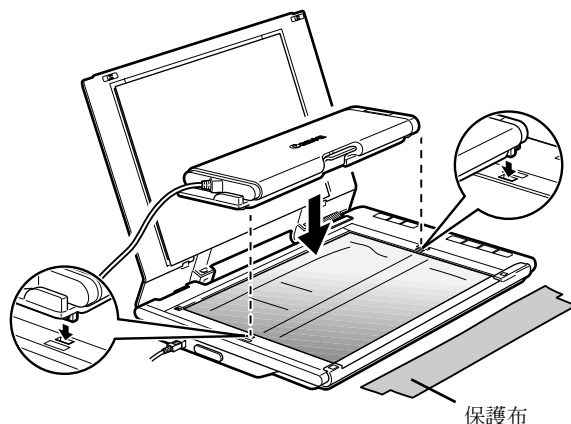
本掃描儀可掃描 35 mm 膠片條（每次 6 格）。掃描膠片時，請執行下列操作步驟。



- 將膠片適配器單元置於掃描儀中之前必須先將原稿玻璃擦乾淨。
- 小心地操作膠片適配器單元以免損壞玻璃面板。
- 小心地操作膠片條以免將其刮傷或留下指紋。

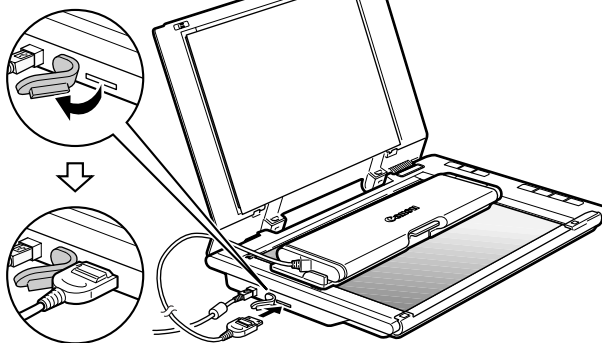
1 藉由中間閉鎖打開膠片適配器單元並取下保護布。從膠片適配器單元側面的固定器中拔出電纜。

2 打開原稿蓋並將膠片適配器單元放到原稿玻璃上。
將膠片適配器單元上的圓點與掃描儀上的圓點（標記為 [FAU]）對齊以將適配器單元放置到位。



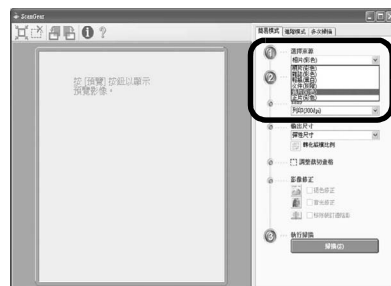
3 將電纜連接至位於掃描儀側面板的接口上，然後輕輕合上原稿蓋。

首次掃描膠片之前必須校準掃描儀。此時請勿將膠片條放入膠片適配器單元中，因為它不需要校準。



4 啓動 ArcSoft PhotoStudio，然後啓動 ScanGear。
按照第 4 頁上的“嘗試掃描”中的步驟 2 至 4 進行操作。

5 在[選擇來源]中選擇[負片 (彩色)]或[正片 (彩色)]以匹配掃描的膠片類型，然後按一下[預覽]。

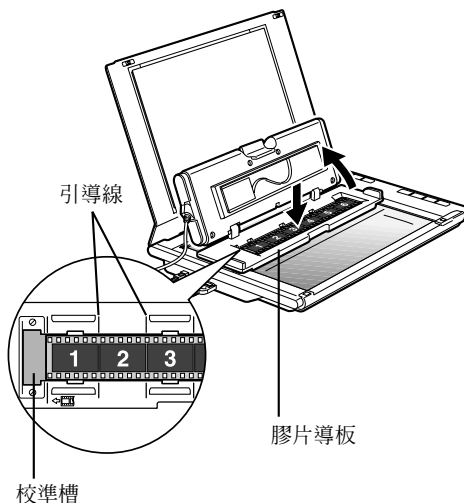



- 6 按一下校準訊息視窗中的 [確定]。
訊息消失後校準處理即完成。




- 7 先打開原稿蓋，然後再打開膠片適配器單元。

- 8 將膠片條放入膠片適配器單元的膠片導板中，並使片格之間的邊界線與膠片導板上的引導線對齊。



 掃描膠片時，切勿擋住膠片導板上的校準槽。如果校準槽被堵塞，將無法正確掃描色彩。

- 9 合上膠片適配器單元直至發出喀嗒一聲，然後輕輕合上原稿蓋。


 原稿蓋不與原稿玻璃接觸。小心請勿強制壓下原稿蓋。

- 10 按一下預覽訊息視窗中的 [確定]。
在預覽區域會顯示掃描影像。

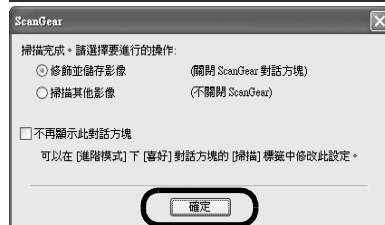
- 11 查看想要掃描的片格。必要時可進行影像修正。




- 12 按一下 [掃描] 開始掃描。

 在操作過程中，切勿碰觸掃描儀。

- 13 當出現提示要求關閉 ScanGear 時，按一下 [確定]。



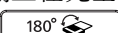
- 14 掃描後的影像儲存在 ArcSoft PhotoStudio 中，並關閉視窗。

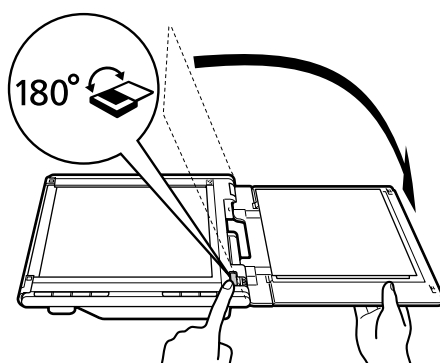
 掃描結束後，請斷開與膠片適配器單元的連接。務必使用隨機提供的保護布以保護玻璃面板免於刮傷。妥善保管保護布以備將來使用。
切勿使膠片條在膠片適配器單元中滯留時間過長，因為機器產生的熱量可能會損壞膠片。
有關掃描膠片的詳情，請參閱*掃描指南*中的“掃描膠片”。

掃描儀的放置

水平放置

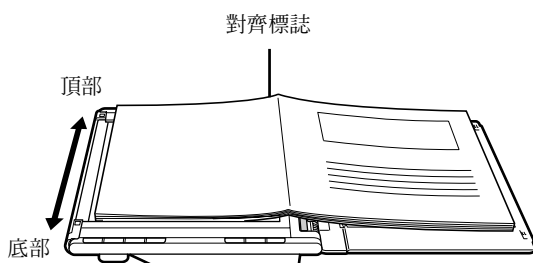
原稿蓋完全打開以便於掃描大尺寸或裝訂的原稿。尺寸過大的原稿可用 CanoScan Toolbox 的縫合助手功能分割掃描至單個影像中。更多資訊，請參閱 *掃描指南*。

用手扶住原稿蓋，小心地將其打開並在完全打開原稿蓋的過程中始終按住底部鉸鏈處的  不放。



切勿將重達 2.0 公斤或更重的物件放在掃描儀上。掃描儀可能無法工作，或者當用力壓下原稿玻璃時可能會壓碎原稿玻璃。

如果外部光線進入掃描對象四周，則請用一塊黑布蓋住掃描儀。



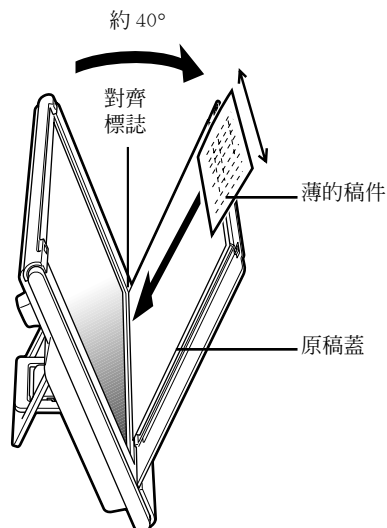
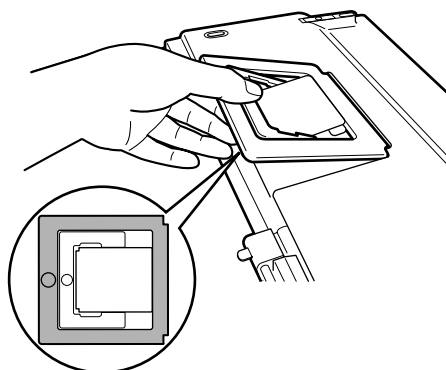
直立放置

如果要掃描薄的原稿（例如一張單頁表格或一張雙折頁表格）時，則此種方式可節省大量空間。以此種方式放置時無法掃描厚的原稿或膠片。

將掃描儀底部支架扳出直至發出喀嗒一聲，然後將掃描儀直立放置於平穩表面。輕輕地將原稿蓋打開至所能打開的最大角度（大約 40° 時停下），然後將原稿沿原稿蓋滑下。



- 切勿強行打開原稿蓋；原稿蓋在直立位置時無法完全打開。
- 當要將掃描儀提升至直立位置時，必須首先合上並固定原稿蓋。



規格

| | | |
|--------------------|--------|--|
| 掃描儀類型 | | 平板式 |
| 掃描元件 | | CIS (彩色接觸影像感應器) |
| 光源 | | 3 色 (RGB) LED 燈 |
| 光學解析度 *1 | | 4800 × 9600 dpi |
| 可選解析度 | | 25 – 19200 dpi (ScanGear) |
| 掃描位元深度 | 彩色 | 各顏色 16 位元輸入 / 16 位元或 8 位元輸出 |
| | 灰階 | 16 位元輸入 / 16 位元 *2 或 8 位元輸出 |
| 掃描速度 *3 (照片或文稿) | 彩色 | 34.3 msec./線 (2400 dpi) , 34.3msec./線 (4800 dpi) |
| | 灰階, 黑白 | 11.4 msec./線 (2400 dpi) , 11.4 msec./線 (4800 dpi) |
| 掃描速度 *3 (膠片) | | 5.6 – 223.9 msec./線 |
| 預覽速度 *3*4 | | 約 9 秒 |
| 介面 | | USB 2.0 Hi-Speed |
| 最大文稿尺寸 | | A4/Letter : 216 × 297 mm |
| 膠片類型 / 畫格數 | | 35 mm 膠片條 *5 (最多 6 格) |
| 掃描儀按鈕 | | 7 個按鈕 (PDF × 4, COPY, PHOTO/FILM, E-MAIL) |
| 操作範圍 | 溫度 | 5°C–35°C (41°F–95°F) |
| | 濕度 | 10% 至 90% RH, 掃描膠片時為 20% 至 80% RH, 無濕氣凝結 |
| 電源要求 | | 經由 USB 連接埠 (不需要外部適配器) 供電 |
| 功率消耗 | | 運行時: 最大 2.5 瓦, 待機時: 0.6 瓦 |
| 最大外形尺寸 | | 286 × 409 × 43 mm |
| 重量 | | 約 2.6 kg *6 |

*1 光學解析度表示基於 ISO 14473 的最大取樣率。

*2 僅限膠片掃描。

*3 在 Windows PC 上 USB 2.0 Hi-Speed 模式中的最快速度。不包括傳送時間。掃描速度視文稿類型、掃描設定或電腦規格而變化。

*4 不包括校準處理時間。

*5 不支援 35 mm 幻燈片。

*6 包括膠片適配器單元的重量。

• 規格如有變更, 恕不另行通知。

機型: K10291 (CanoScan LiDE 600F)

警告

使用本產品時，您必須注意以下法律事項：

- 對銀行票據（銀行帳單）、政府債券和公用證書等某些文稿進行掃描，可能受法律禁止，並可能導致刑事和 / 或民事責任。
- 依照法律，您可能需要獲得掃描項目的個人處理版權或其他法律權限的授權。

如果您無法確定掃描某個對象是否合法，請您事先聯絡您的法律顧問。

- Adobe®、Adobe® RGB (1998) 是 Adobe Systems Incorporated 在美國和 / 或其他國家的註冊商標或商標。
- Microsoft® 和 Windows® 是 Microsoft Corporation 在美國和 / 或其他國家的註冊商標或商標。
- Macintosh、Mac 和 Mac 標誌是 Apple Computer, Inc., 在美國和其他國家註冊的商標。
- ©ArcSoft, Inc. 保留所有 PhotoStudio 權利。
- 以上未提到的其他名稱和產品可能是其各自公司的商標或註冊商標。

